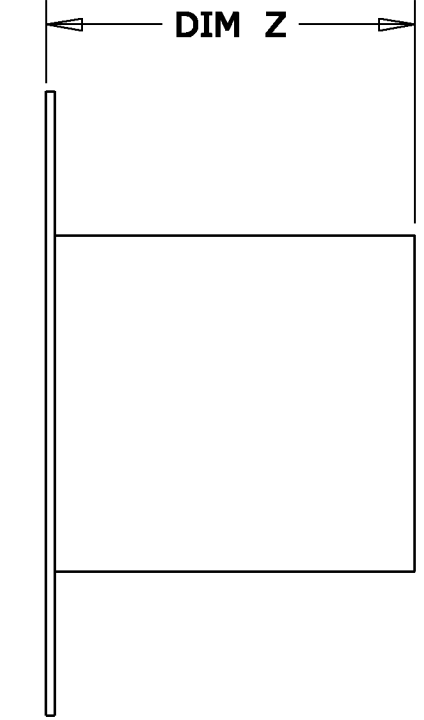
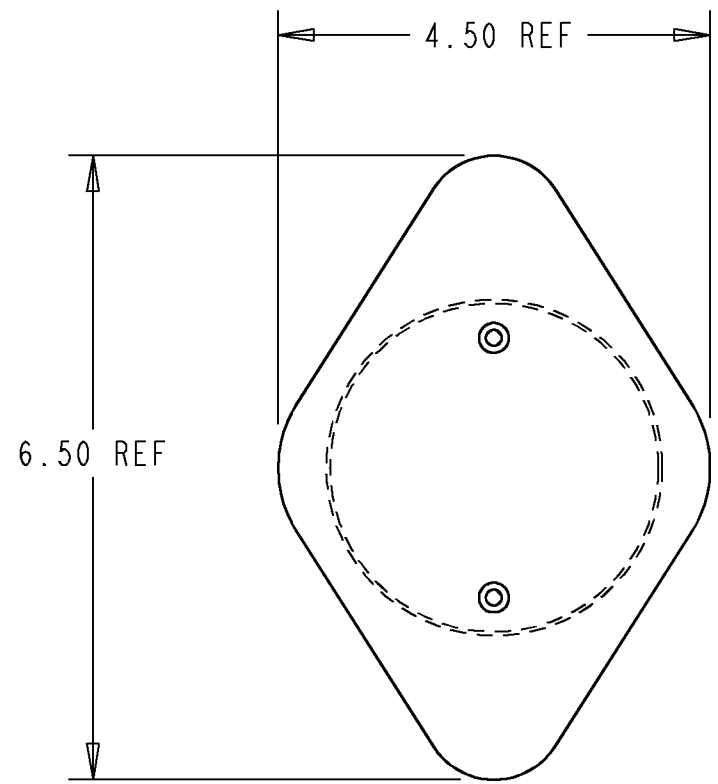
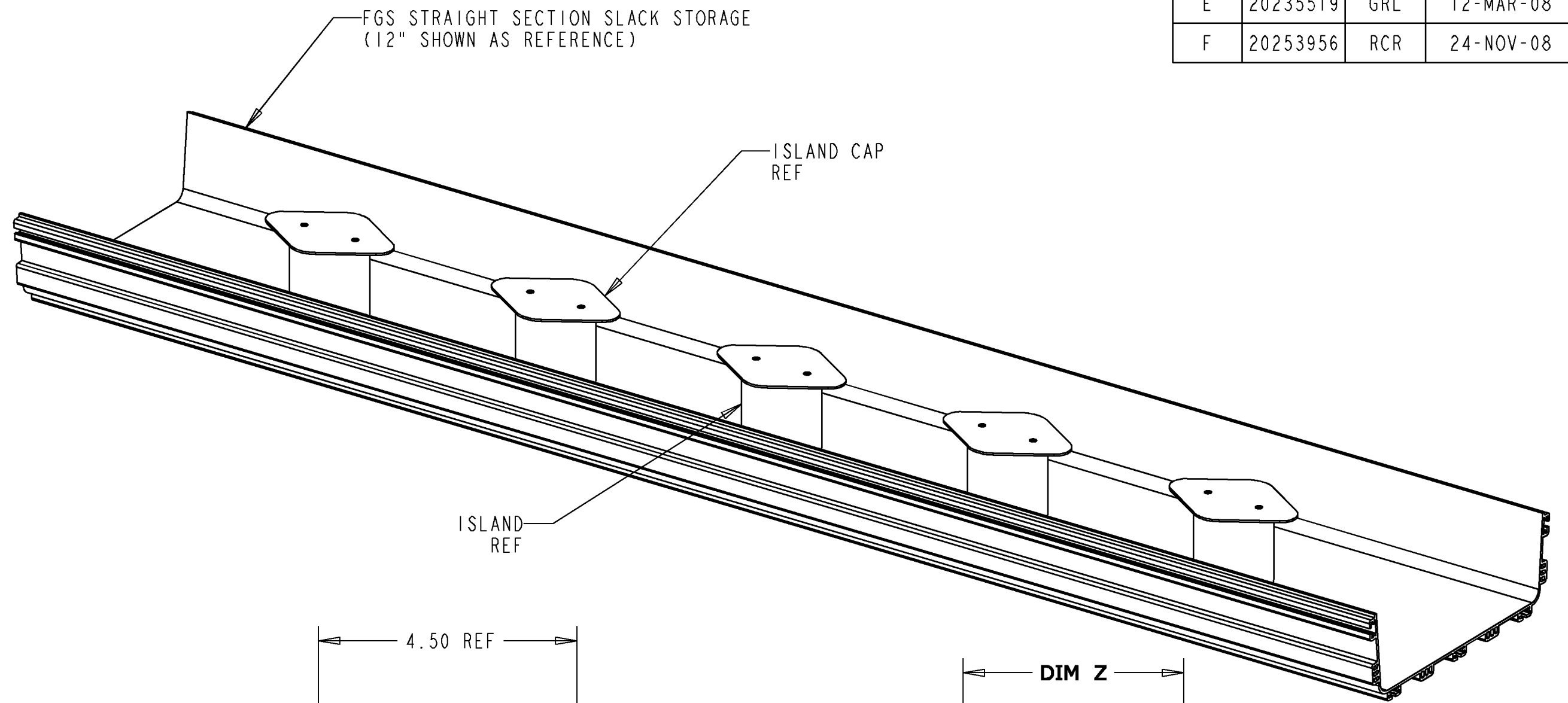
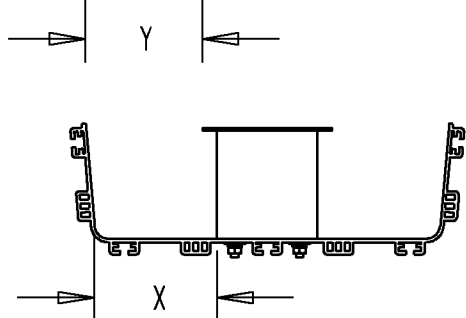
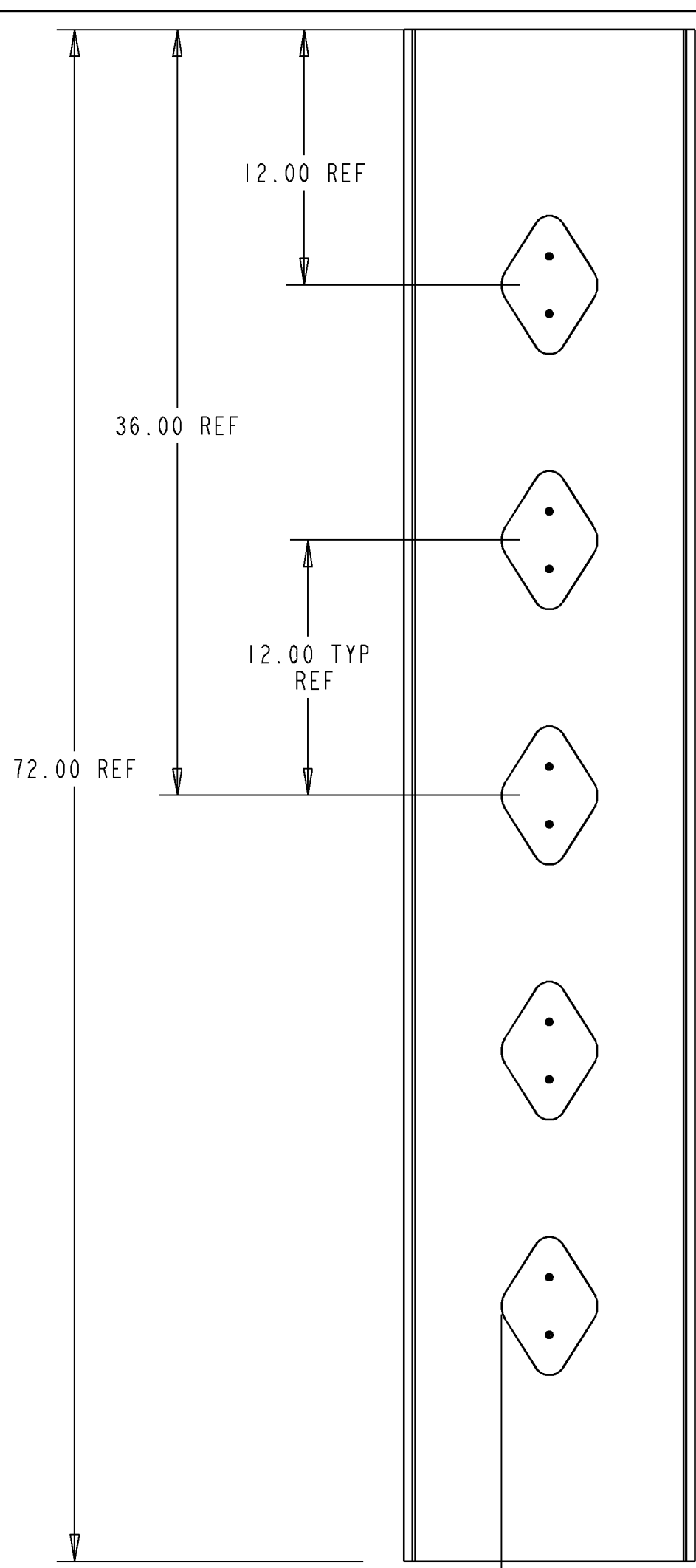


REV	MCO	DWN	DATE
E	20235519	GRL	12-MAR-08
F	20253956	RCR	24-NOV-08



NOTES:

- KIT INCLUDES THE FOLLOWING:
 - FGS STRAIGHT SECTION SLACK STORAGE COMPRISED OF THE FOLLOWING ASSEMBLED COMPONENTS:
 - FGS STRAIGHT SECTION (SEE TAB FOR SIZE)
 - ISLAND RADIUS LIMITER WITH COVER
 - VINYL THREAD CAP
- ASSEMBLE THE (10) VINYL THREAD CAP ONTO THE ISLAND MOUNTING THREADS PROTRUDING FROM THE BOTTOM OF THE FGS STRAIGHT SECTION.

FGSB-MSHS-STOR-B	6"	1.25	.075	3.84	BLACK
FGSB-MSHS-STOR-F	12"	4.25	3.75	3.84	BLACK
FGS-MSHS-STOR-G	6"	1.25	0.75	2.09	YELLOW
FGSO-MSHS-STOR-B	6"	1.25	0.75	3.84	ORANGE
FGSO-MSHS-STOR-F	12"	4.25	3.75	3.84	ORANGE
FGS-MSHS-STOR-B	6"	1.25	0.75	3.84	YELLOW
FGS-MSHS-STOR-F	12"	4.25	3.75	3.84	YELLOW
CATALOG NUMBER	FGS SIZE	"X" DIM	"Y" DIM	"Z" DIM	COLOR



INFORMATION ON THIS DOCUMENT IS PROPRIETARY TO ADC AND SHALL NOT BE USED, COPIED, REPRODUCED OR DISCLOSED IN WHOLE OR IN PART WITHOUT WRITTEN CONSENT OF ADC.

TITLE KIT, FGS PIT ROW TROUGH SLACK STORAGE

ALL DIMS AND TOLERANCES .XX:±N/A ARE INCHES UNLESS .XXX:±N/A OTHERWISE SPECIFIED ANGULAR:±N/A

C SIZE DRAWING NUMBER 1141011 F REV

DO NOT SCALE DRAWING

ENGR: KEVIN HRUBY DWN: CRAIG ZELASKO

SHT. 1 OF 1

DIMENSIONS IN INCHES THIRD ANGLE PROJECTION