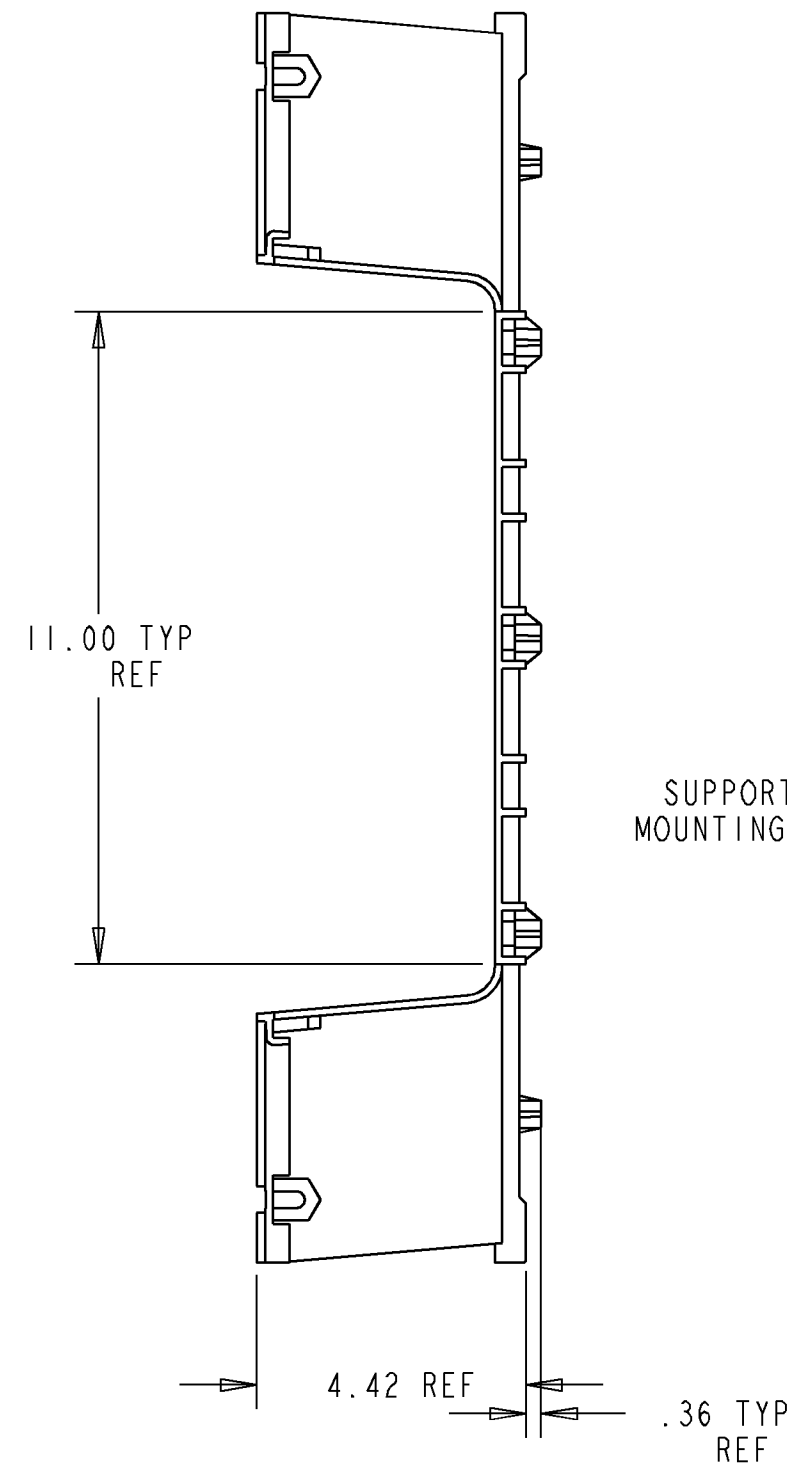
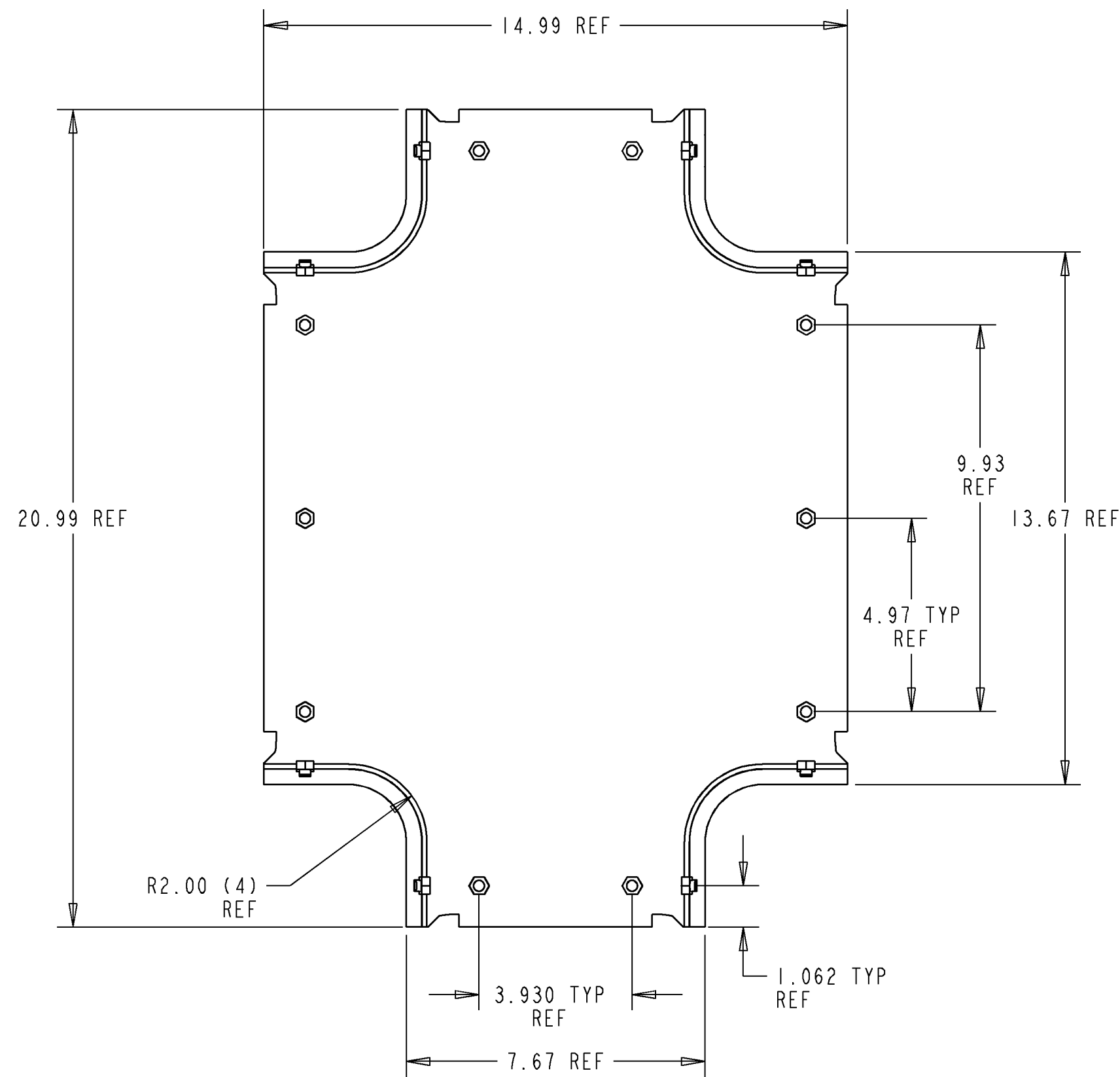
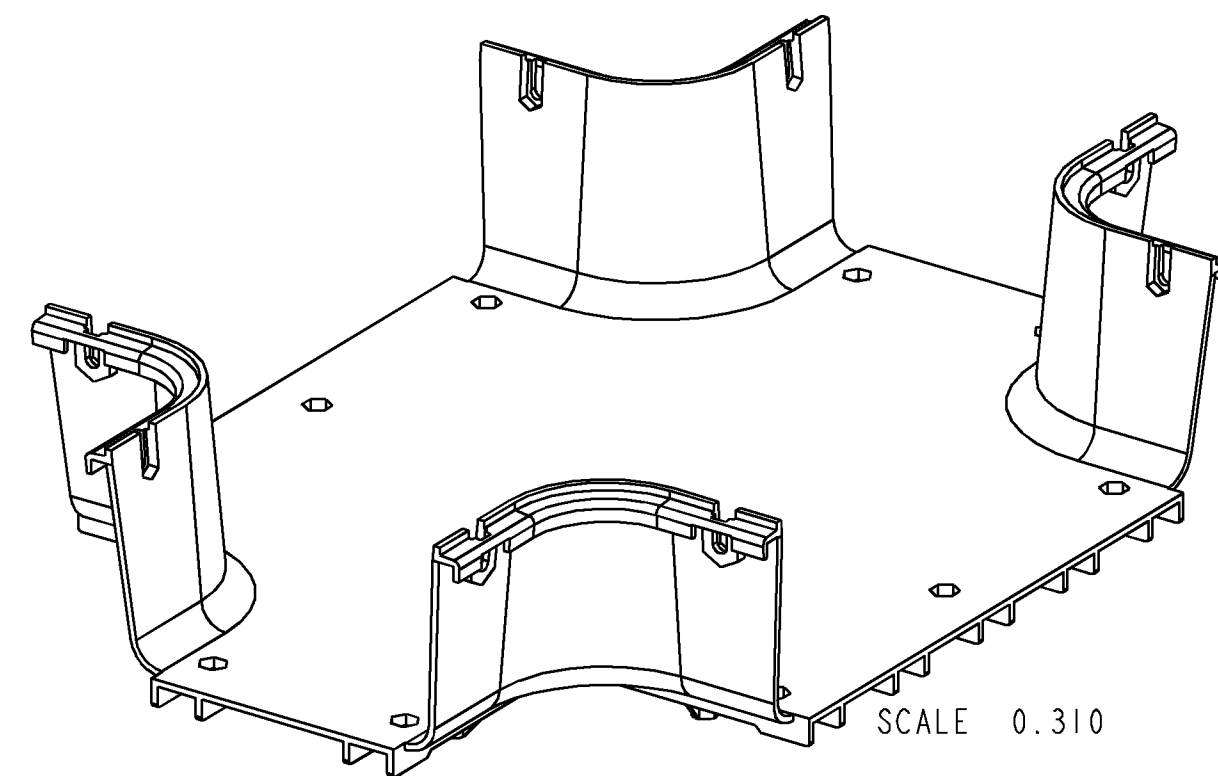
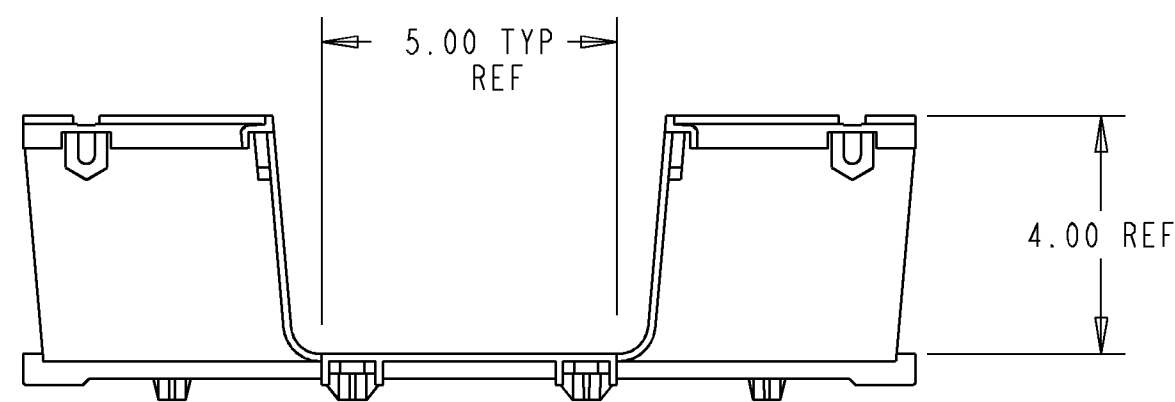
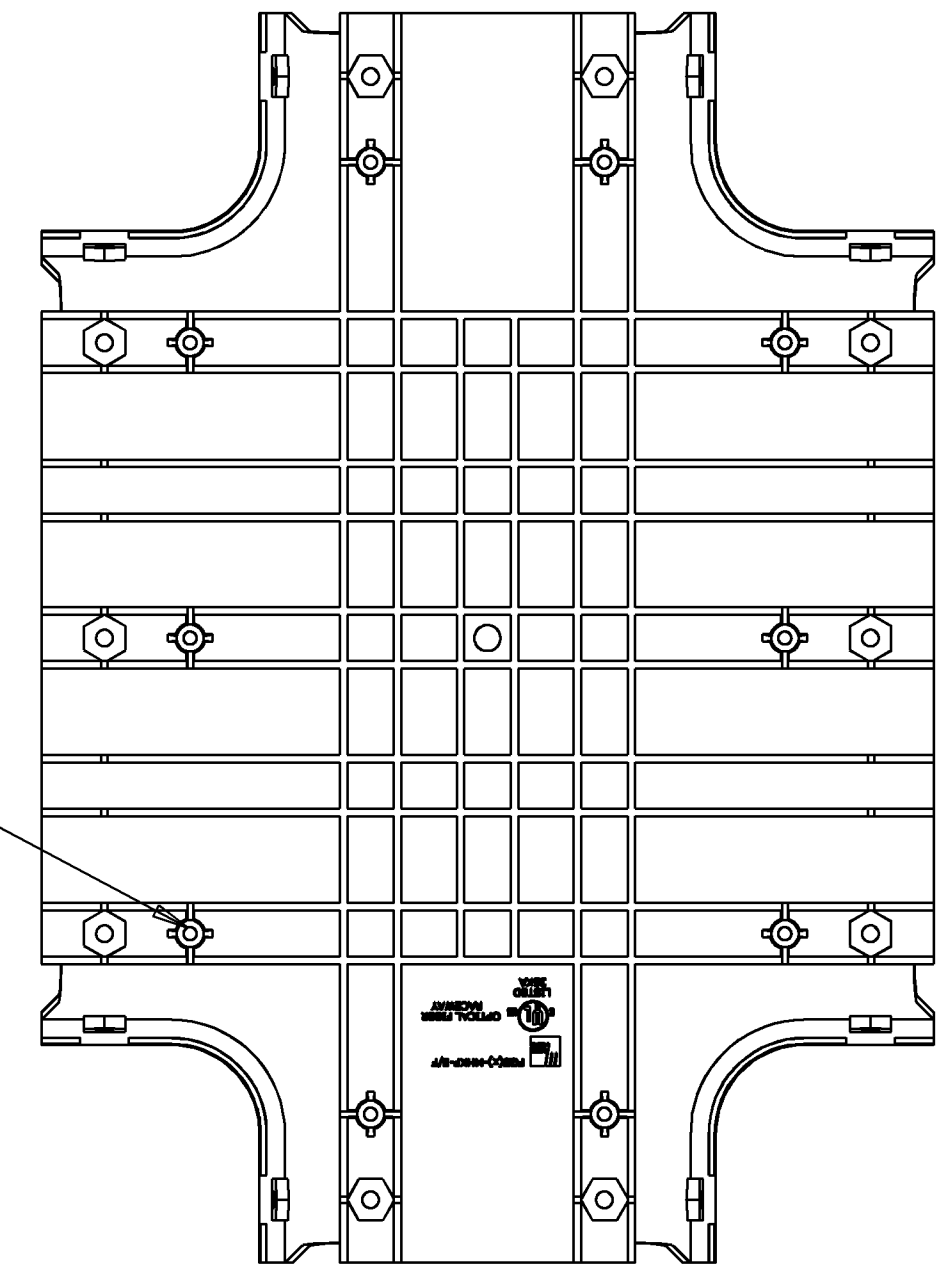


REV	MCO	DWN	DATE
A	20019792	TH	12/28/98
B	20238853	AED	28-APR-08



SUPPORT BRACKET MOUNTING HOLE (10)



CATALOG NO.	COLOR
FGSB-MHXP-B/F	BLACK
FGS-MHXP-B/F	YELLOW
FGSO-MHXP-B/F	ORANGE

NOTES:

1. MATERIAL IS SELF EXTINGUISHING WITH A UL 94 RATING OF V-0.



INFORMATION ON THIS DOCUMENT IS PROPRIETARY TO ADC AND SHALL NOT BE USED, COPIED, REPRODUCED OR DISCLOSED IN WHOLE OR IN PART WITHOUT WRITTEN CONSENT OF ADC.

ALL DIMS AND TOLERANCES .XX:±N/A ARE INCHES UNLESS .XXX:±N/A OTHERWISE SPECIFIED ANGULAR:±N/A

DO NOT SCALE DRAWING

TITLE CROSS, HORIZ, 4X6/4X12 INSTALLATION DWG

DRAWING NUMBER 1044493

ENGR: T. HAATAJA
DWN: T. HAATAJA

SHT. 1 OF 1

DIMENSIONS IN INCHES
THIRD ANGLE PROJECTION