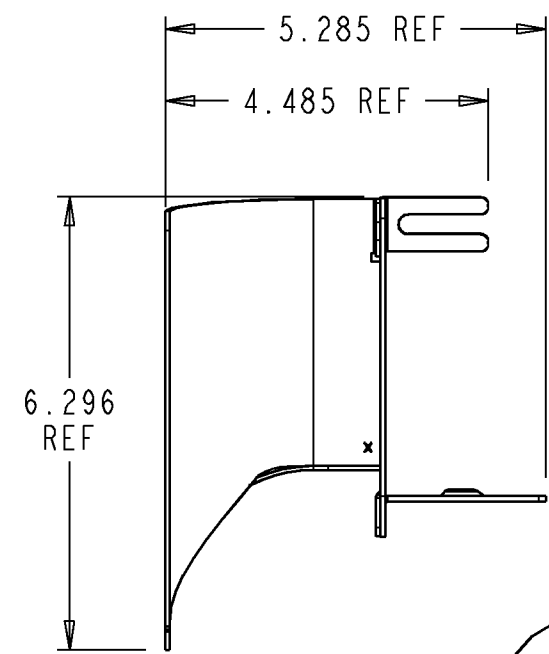
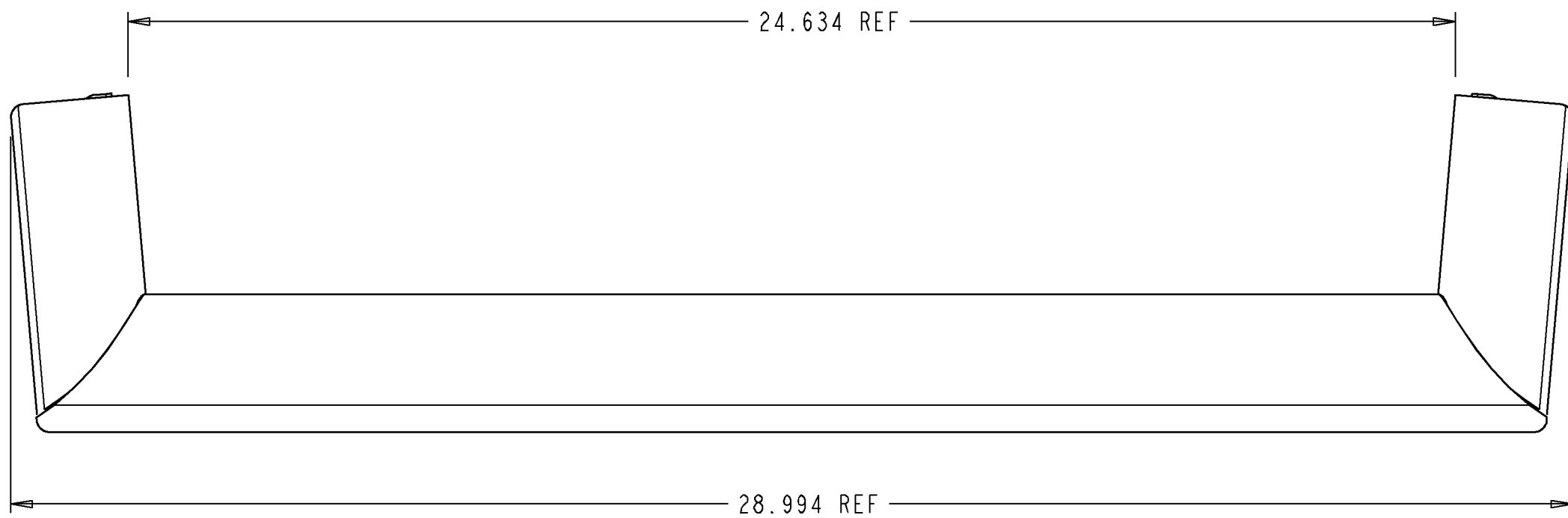
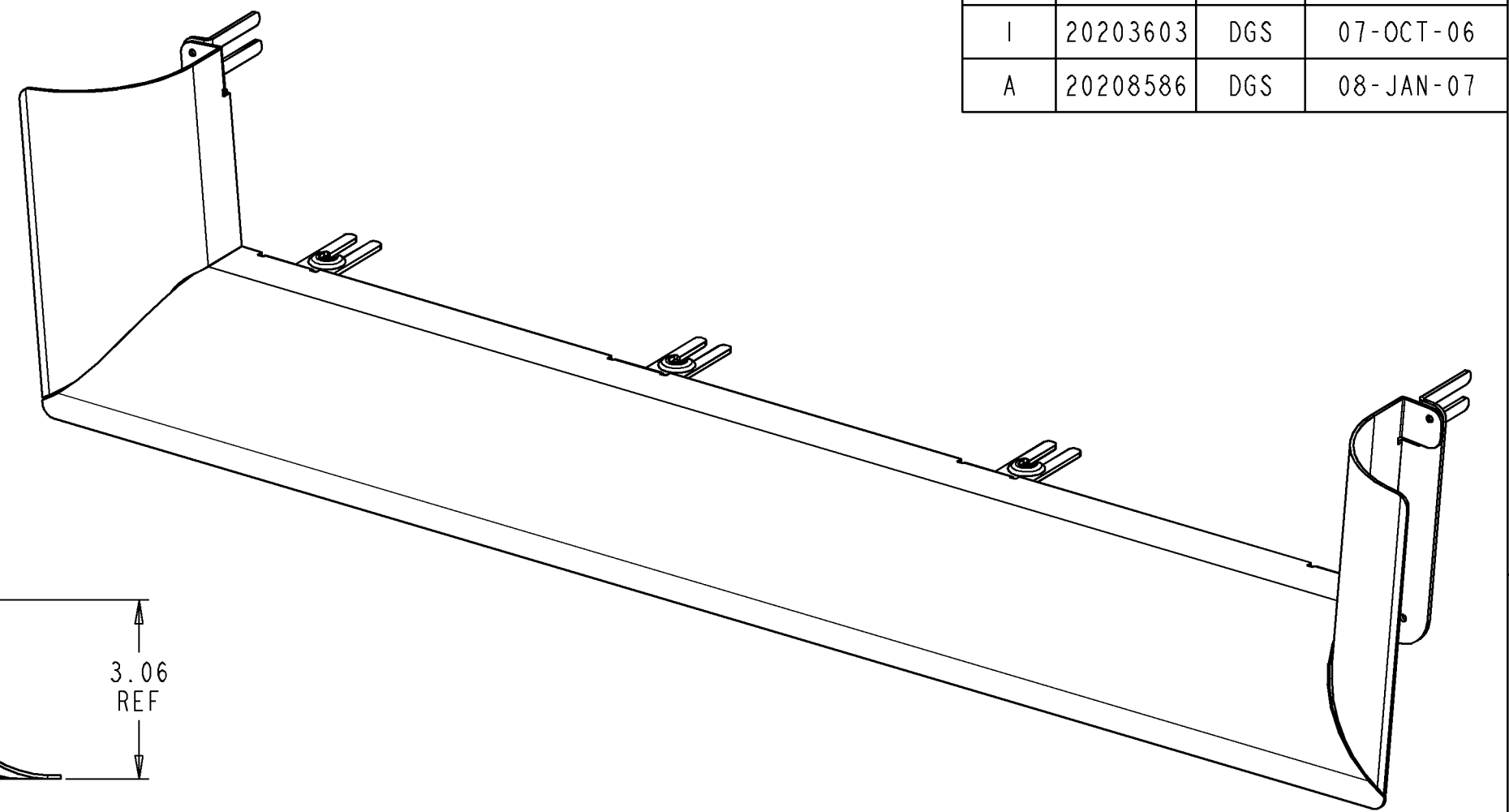
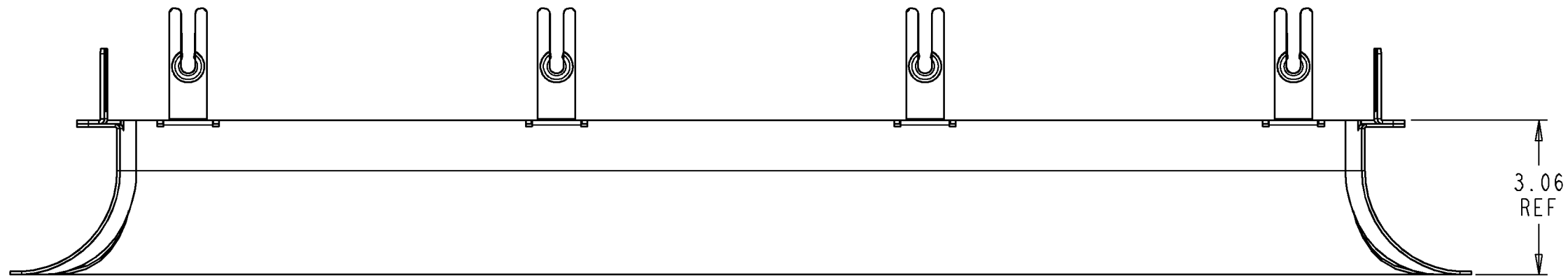
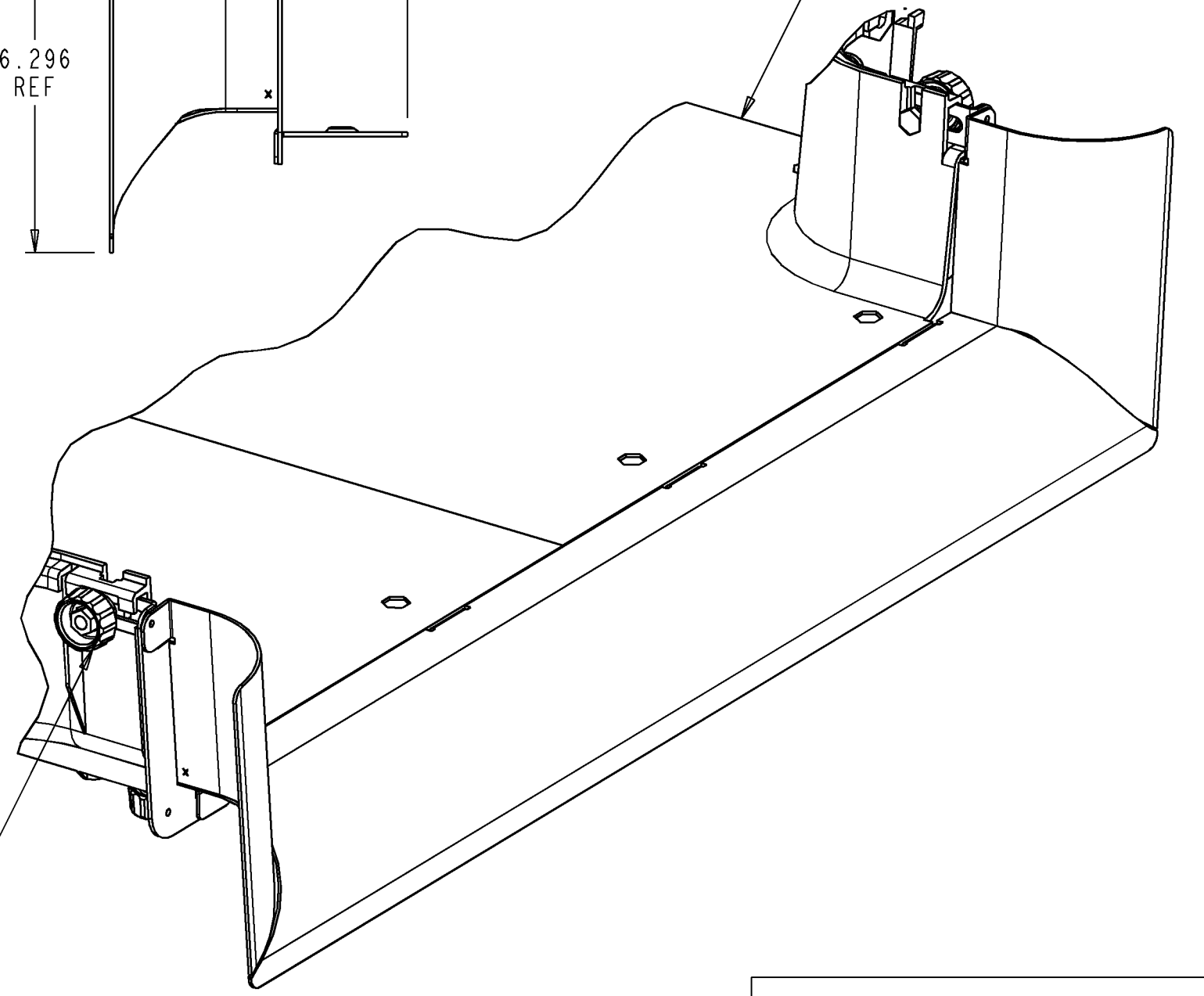


REV	MCO	DWN	DATE
I	20203603	DGS	07-OCT-06
A	20208586	DGS	08-JAN-07



FITTING SHOWN FOR REFERENCE ONLY



QUICK KNOBS WITH 1/4-20 BOLTS INCLUDED WITH KIT

LIST OF PARTS IN KIT		
ITEM	DESCRIPTION	QTY
001	TRUMPET FLARE	1
002	QUICK KNOB	6
003	1/4-20 X 1" UNC	6



INFORMATION ON THIS DOCUMENT IS PROPRIETARY TO ADC AND SHALL NOT BE USED, COPIED, REPRODUCED OR DISCLOSED IN WHOLE OR IN PART WITHOUT WRITTEN CONSENT OF ADC.

ALL DIMS AND TOLERANCES .XX:±.xx
 ARE INCHES UNLESS .XXX:±.xxx
 OTHERWISE SPECIFIED ANGULAR:±N/A

CAT #: FGS-MTRM-H	
TITLE	FGS 24" TRUMPET FLARE INSTALLATION DRAWING
DRAWING NUMBER	1386520
ENGR: DEREK SAYRES	DWN: DEREK SAYRES
SHT. 1 OF 2	

DO NOT SCALE DRAWING

DIMENSIONS IN INCHES
 THIRD ANGLE PROJECTION

A

B

C

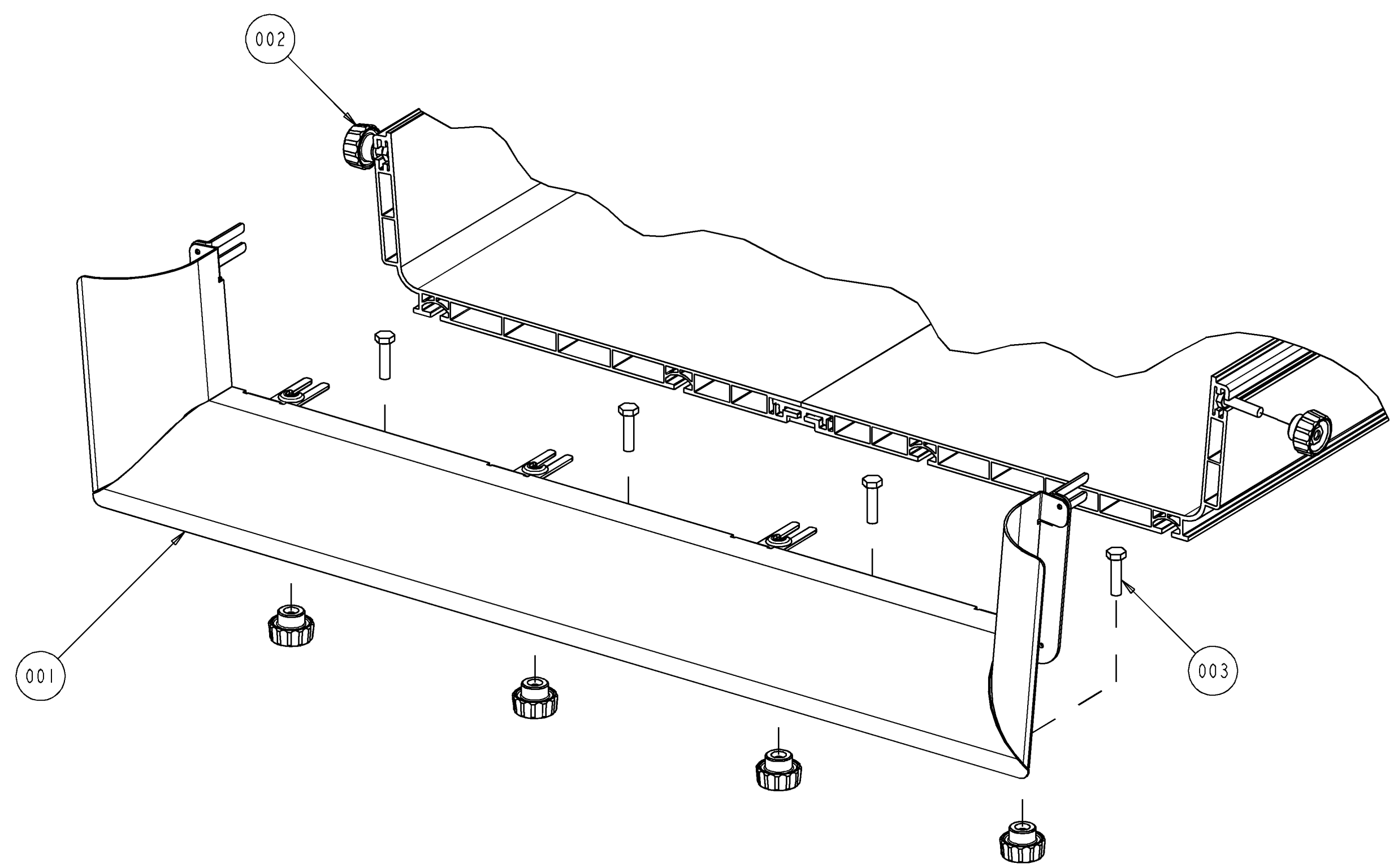
D

1

2

3

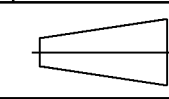
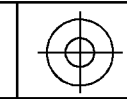
4



TROUGH SHOWN FOR REFERENCE ONLY



INFORMATION ON THIS DOCUMENT IS PROPRIETARY TO ADC AND SHALL NOT BE USED, COPIED, REPRODUCED OR DISCLOSED IN WHOLE OR IN PART WITHOUT WRITTEN CONSENT OF ADC. ALL DIMS AND TOLERANCES ARE INCHES UNLESS OTHERWISE SPECIFIED .XX:±.xx .XXX:±.xxx ANGULAR:±N/A	TITLE FGS 24" TRUMPET FLARE WELDMENT		DRAWING NUMBER 1386520 SHT. 2 OF 2
	DO NOT SCALE DRAWING	ENGR: DEREK SAYRES DWN: DEREK SAYRES	



DIMENSIONS IN INCHES
THIRD ANGLE PROJECTION

A

B

C