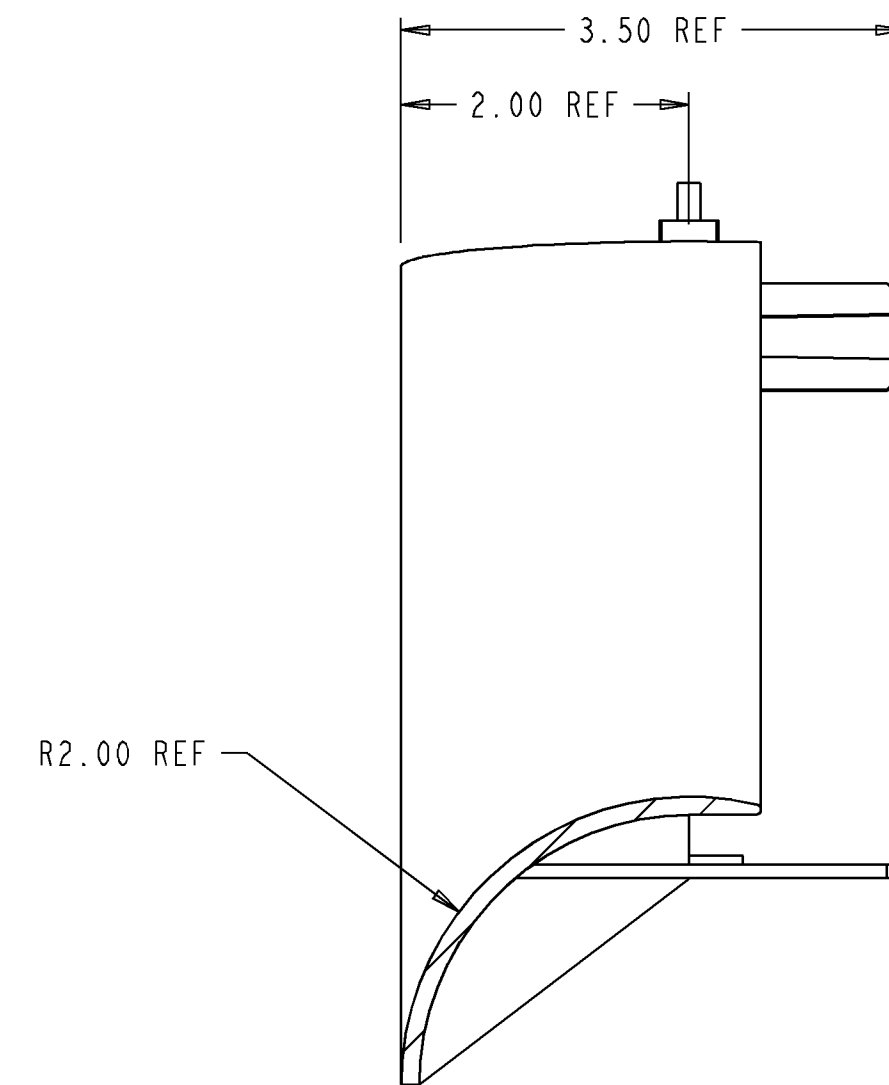
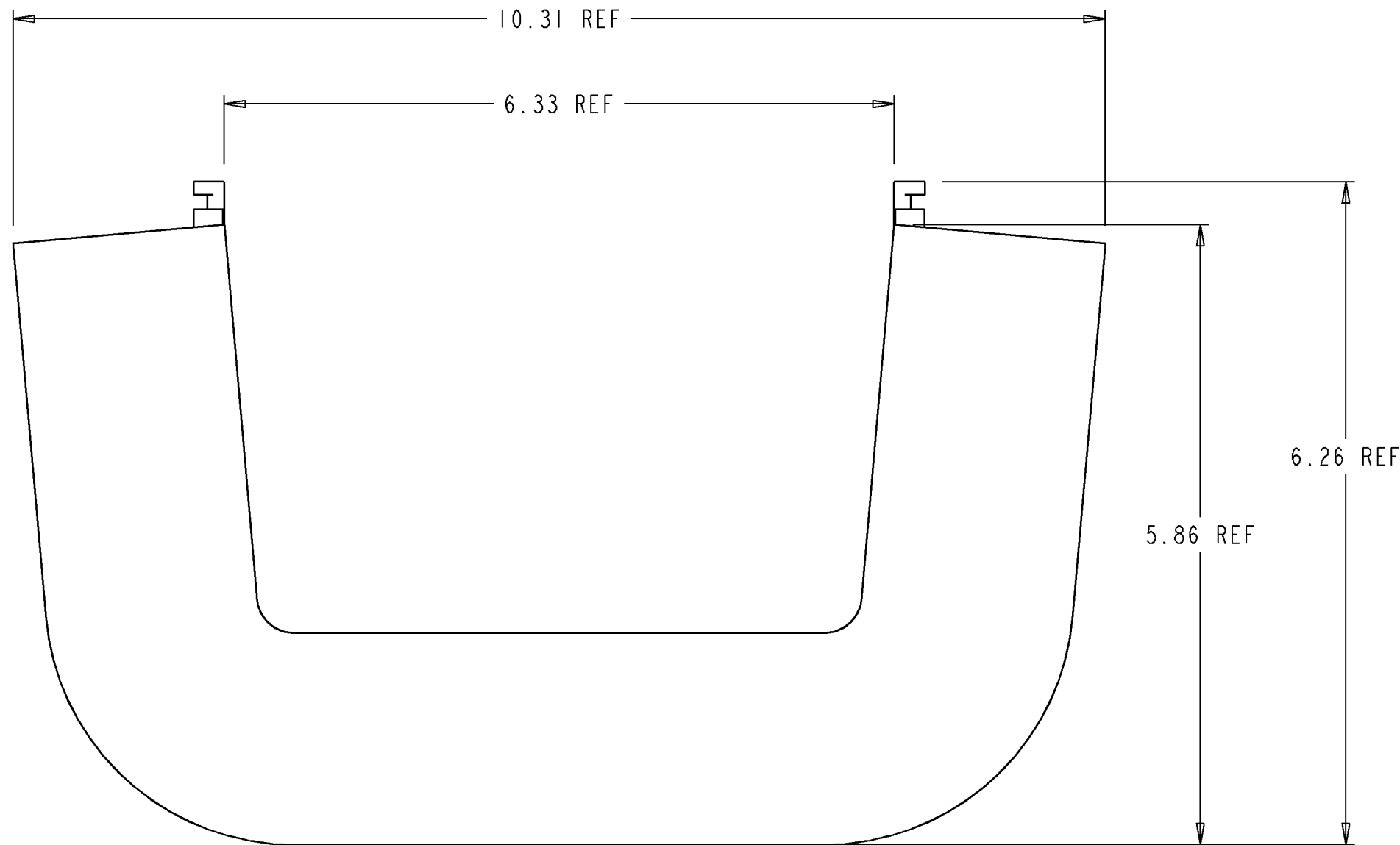
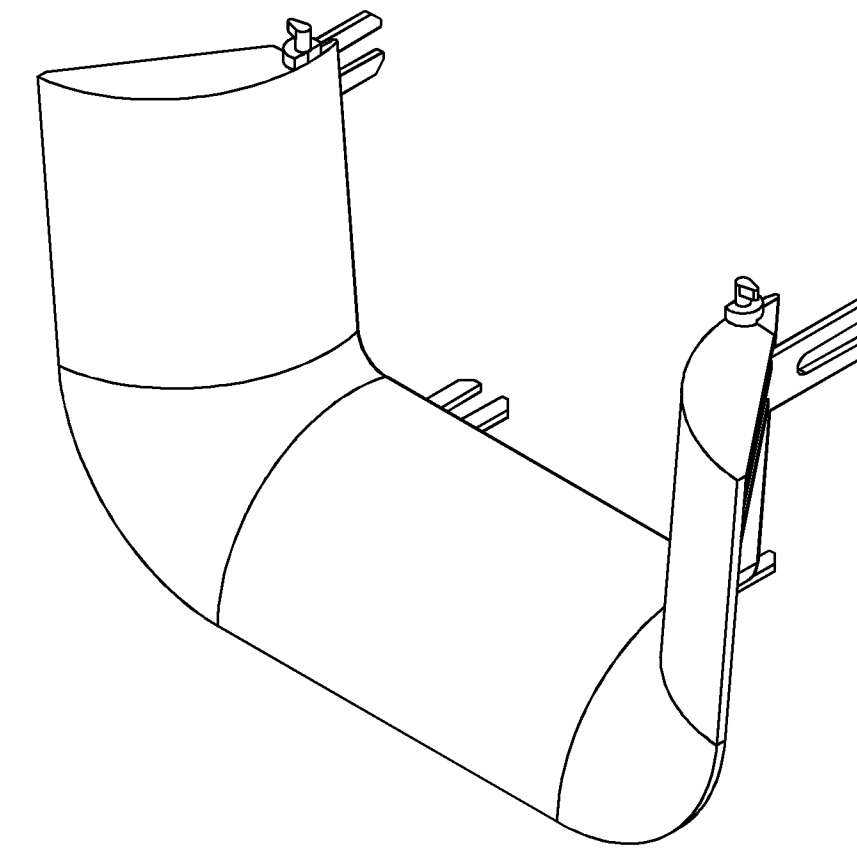
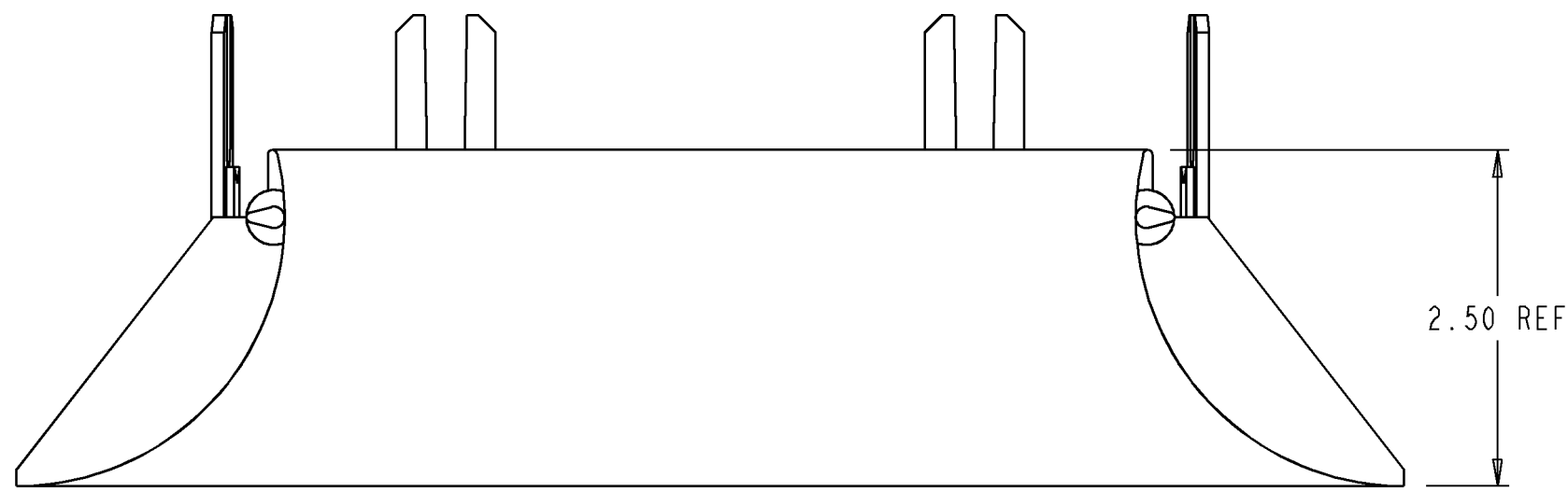


REV	MCO	DWN	DATE
B	20235601	OCM	12-MAR-08
C	20273560	RCR	04-FEB-10



CATALOG NO.	COLOR
FGSB-MTRM-B	BLACK
FGS-MTRM-B	YELLOW
FGSO-MTRM-B	ORANGE

- NOTES:
1. MOUNTING HARDWARE INCLUDED WITH KIT.
  2. MATERIAL IS SELF EXTINGUISHING WITH A UL 94 RATING OF V-0.



INFORMATION ON THIS DOCUMENT IS PROPRIETARY TO ADC AND SHALL NOT BE USED, COPIED, REPRODUCED OR DISCLOSED IN WHOLE OR IN PART WITHOUT WRITTEN CONSENT OF ADC.		TITLE KIT, TRUMPET, 4X6 INSTALLATION DWG	
ALL DIMS AND TOLERANCES ARE INCHES UNLESS OTHERWISE SPECIFIED	.XX:±N/A .XXX:±N/A ANGULAR:±N/A	C SIZE	DRAWING NUMBER 1045822
DO NOT SCALE DRAWING	ENGR: T. HAATAJA DWN: T. HAATAJA	SHT. 1 OF 1	

DIMENSIONS IN INCHES  
THIRD ANGLE PROJECTION