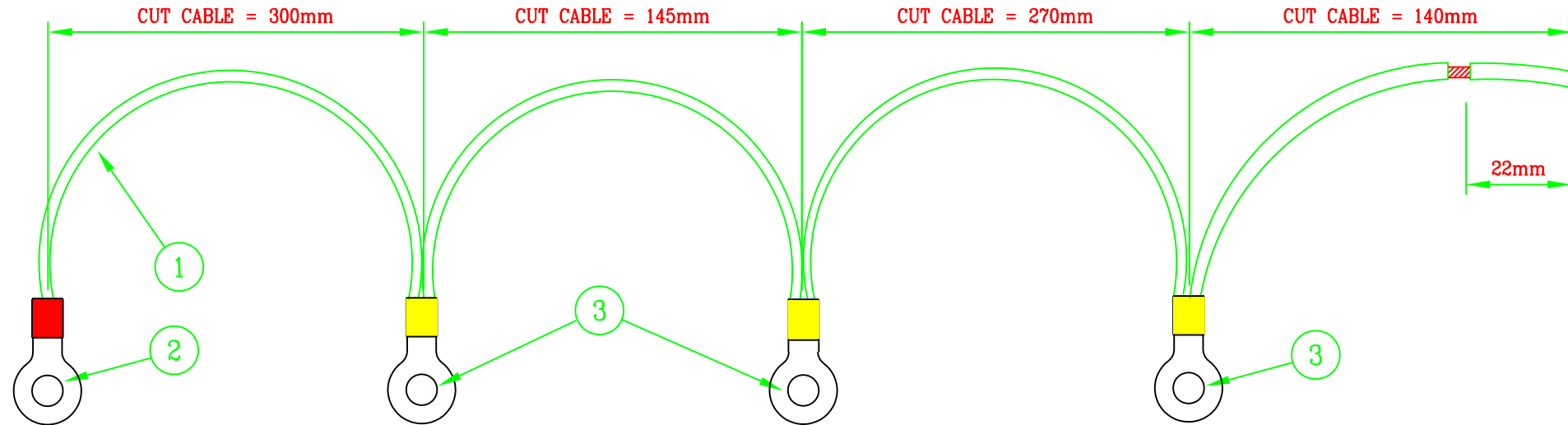


ASM-Loom-Rack- Earth Lead Using Yellow and Red Ring Tags

150-303



ITEM No	DESCRIPTION	QTY
1	1.5mm 30/0.26 GREEN/YELLOW CABLE.	855mm
2	M3 RED SLEEVE RING TERMINAL	1
3	M3 YELLOW SLEEVE RING TERMINAL.	3

Unit 10, The Dencora Centre, Campfield Road, St. Albans, Herts AL1 5HN, UK.

Ph: +44 (0)1727 845750 info@gemcable.co.uk www.gemcable.co.uk

GEM Cable Solutions Registered in England. Company No. 5151023. VAT No. 842 7426 21 ©2010

