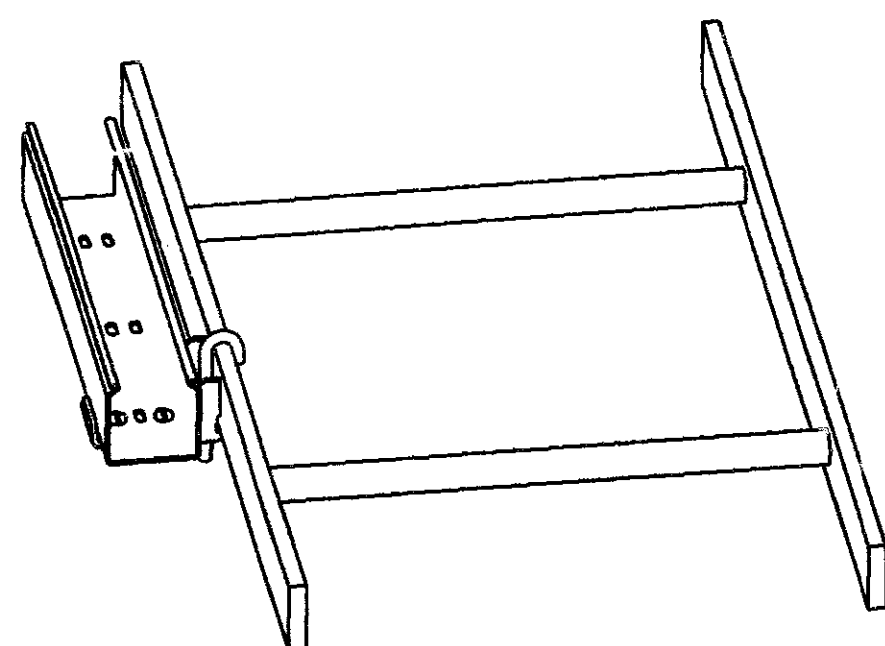


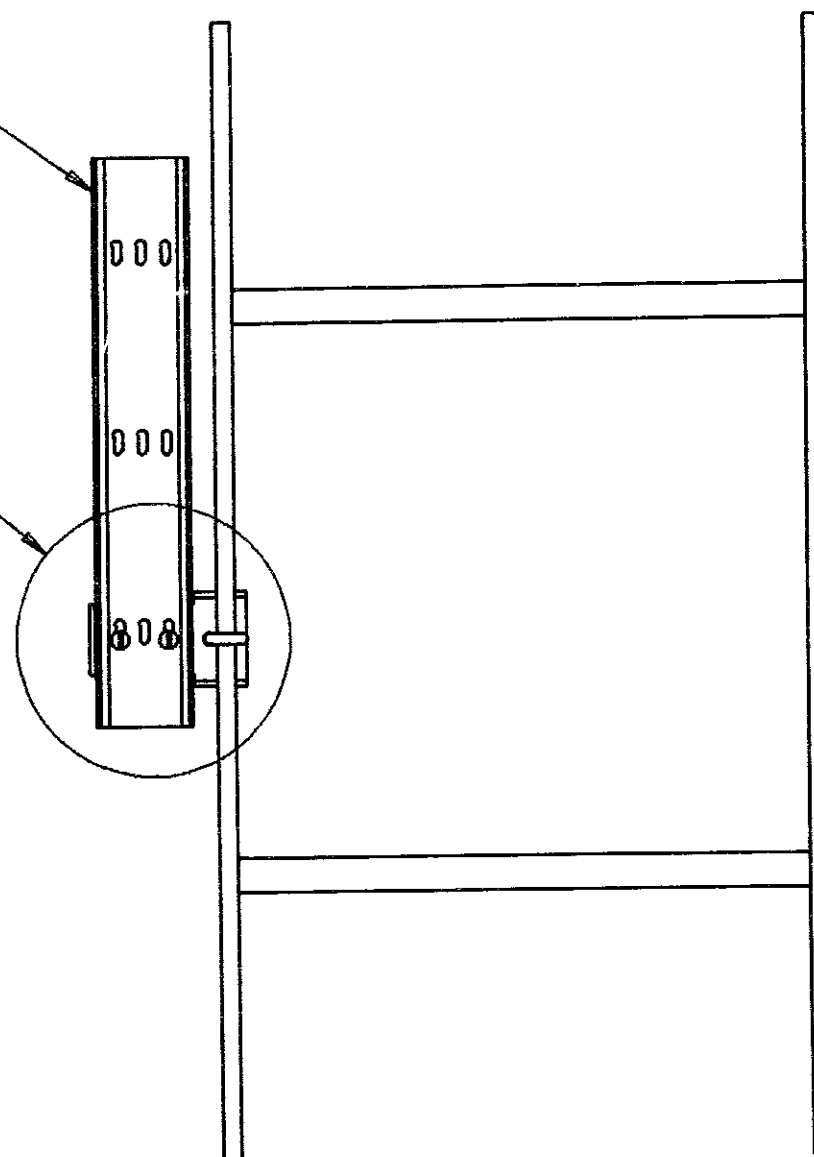
REV	ECO	DWG	DATE
A	66904	TR	11/12/90



2" X 2" FIBERGUIDES, REF
(NOT INCLUDED WITH KIT)

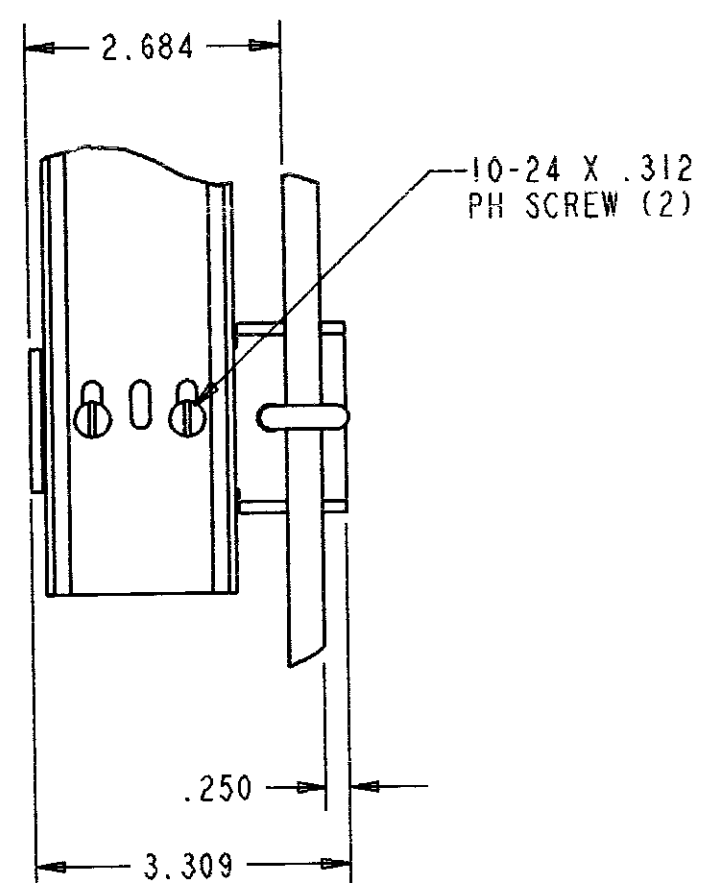
I

SEE DETAIL B

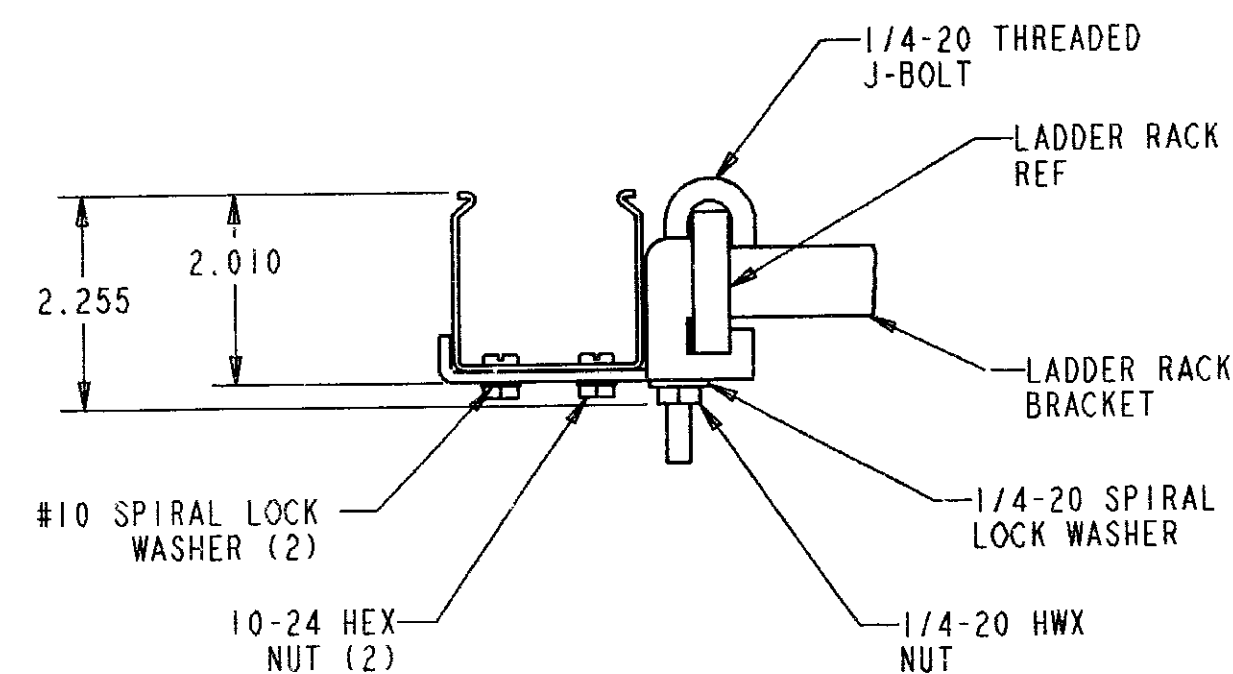


LADDER RACK, REF (NOT
INCLUDED WITH KIT)

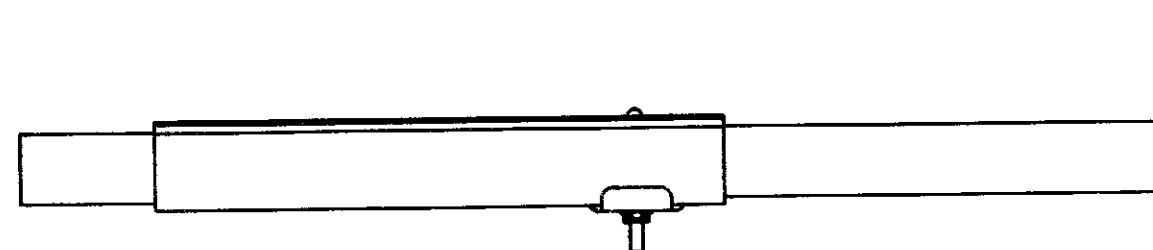
I



DETAIL B
SCALE 0.500



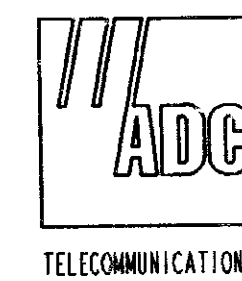
DETAIL A
SCALE 0.500



SEE DETAIL A

I ITEMS ARE NOT INCLUDED WITH KIT.

NOTES:



INFORMATION ON THIS DOCUMENT IS PROPRIETARY TO ADC AND SHALL NOT BE USED, COPIED, REPRODUCED OR DISCLOSED IN WHOLE OR IN PART WITHOUT WRITTEN CONSENT OF ADC.		TITLE FIBERGUIDES, KIT LADDER RACK BRKT (INSTALLATION DRAWING)	
TOLERANCE UNLESS OTHERWISE SPECIFIED	.XX: REF .XXX: REF ANGULAR: REF	C SIZE	DRAWING NUMBER 4-29000-3161
DO NOT SCALE DRAWING	ENGR: ROY HENNEBERGER DRWN: T. REDMANN	A REV	
		SHT. 1 OF 1	

DIR: ROYTEMP