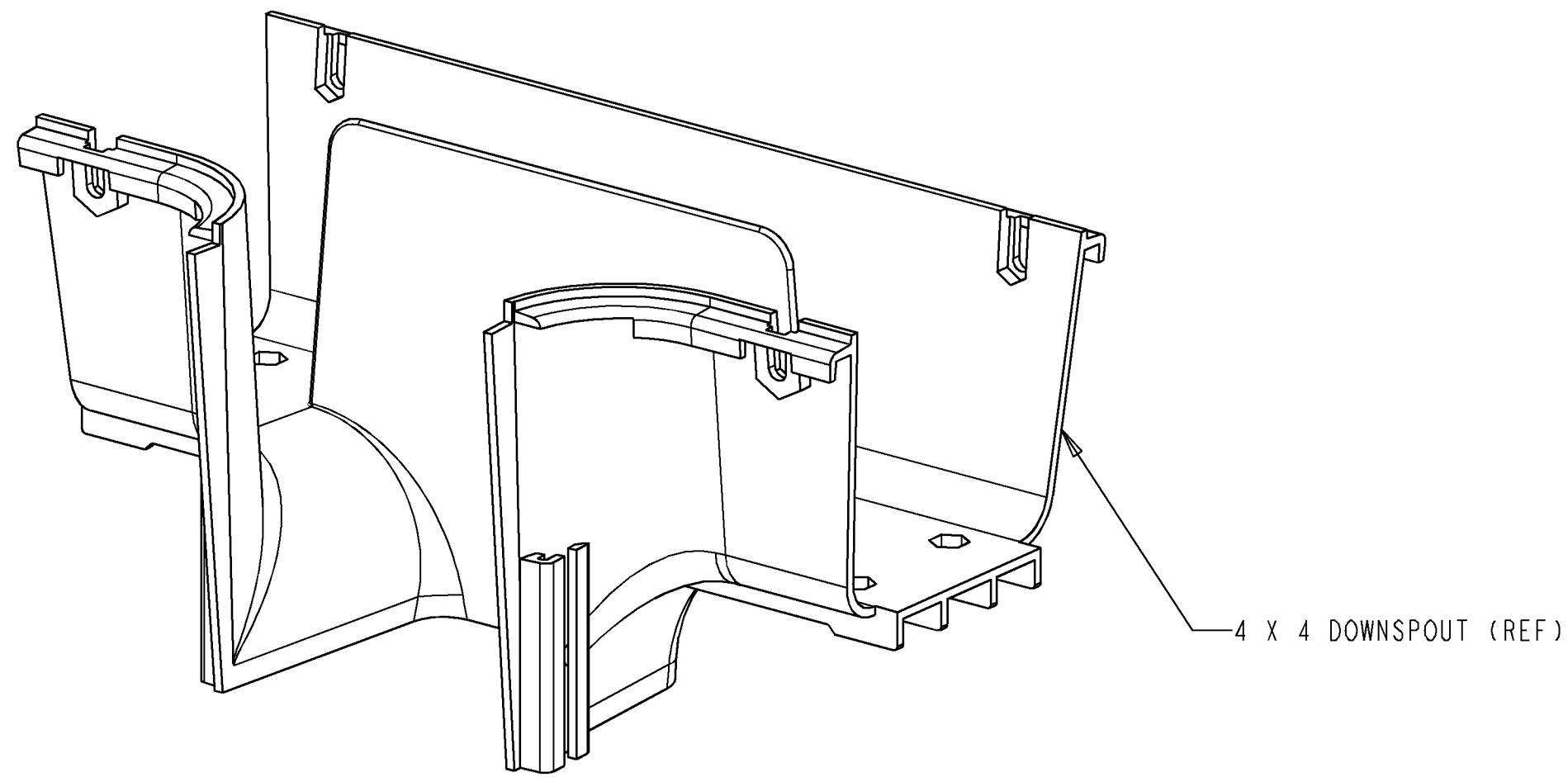
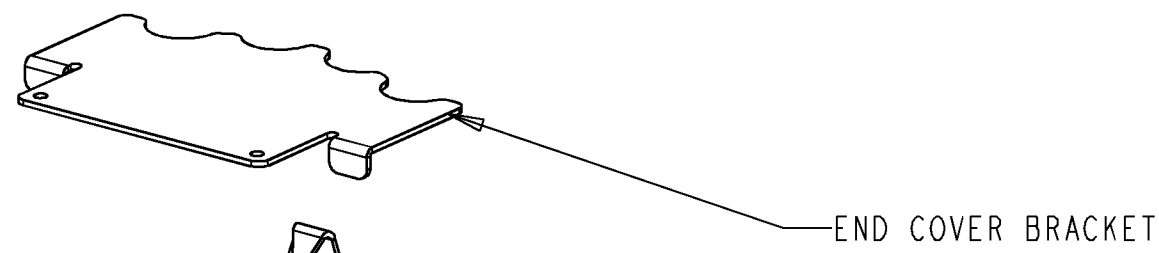


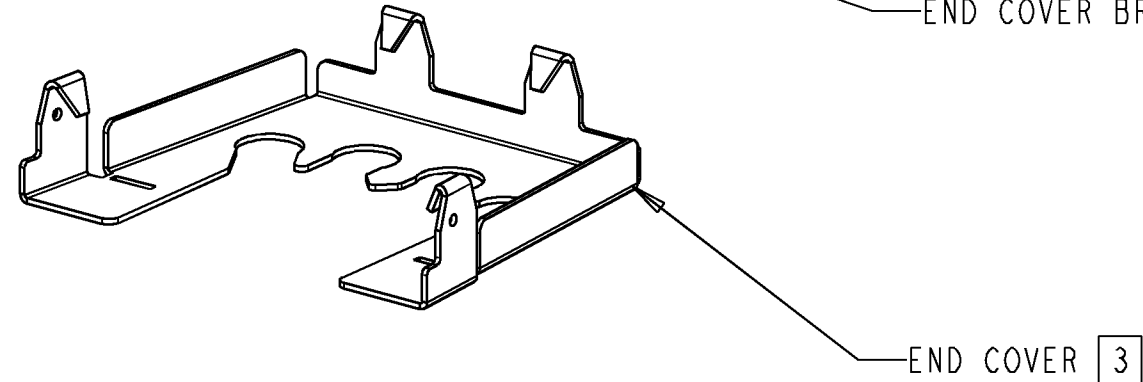
REV	MCO	DWN	DATE
F	20275532	GCC	22-OCT-09
G	20296097	EEG	04-NOV-10



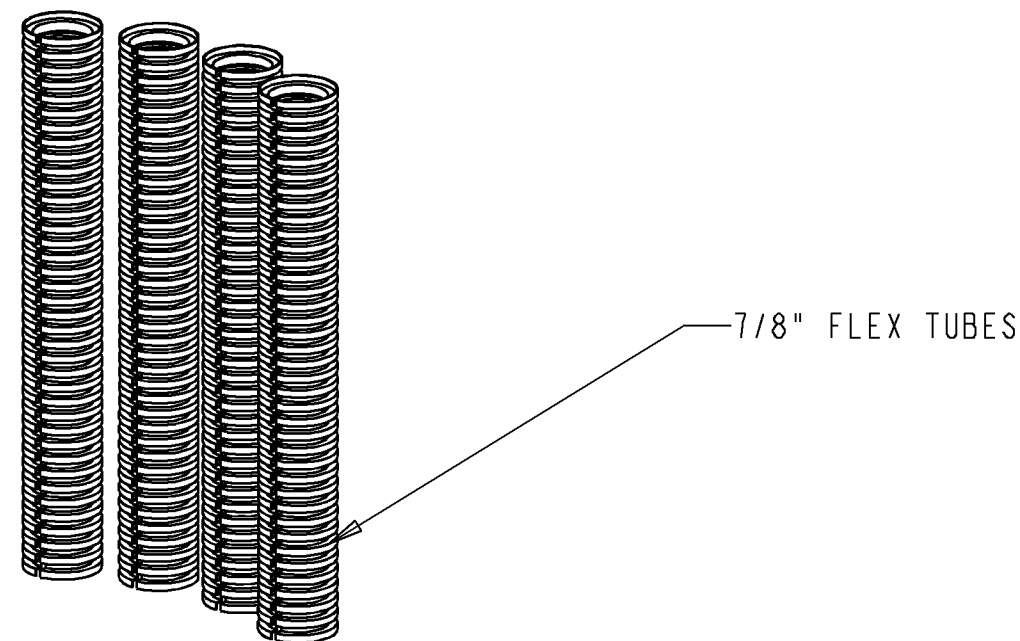
4 X 4 DOWNSPOUT (REF)



END COVER BRACKET



END COVER [3]



7/8" FLEX TUBES

NOTES:

1. ITEMS INCLUDED IN KIT ARE:

- (1) 4" X 4 7/8" END COVER
- (4) (SEE TAB) FLEX HOSES
- (4) FLEX HOSE CLAMPS
- (8) 6-32 X 3/8 PH SCREWS
- (8) 6-32 HEX NUTS
- (8) STAR LOCK WASHERS
- (1) END COVER BRACKET

2. KIT MAY BE USED ON STRAIGHT SECTIONS OR FITTINGS.

FGSB-KT07-A4-15F	15 FT	BLACK
FGSB-KT07-A4-10F	10 FT	BLACK
FGS-KT07-A4-10F	10 FT	YELLOW
FGS-KT07-A4-15F	15 FT	YELLOW
FGS0-KT07-A4-5F	5 FT	ORANGE
FGS-KT07-A4-5F	5 FT	YELLOW
FGSB-KT07-A4-5F	5 FT	BLACK
CATALOG NO.	HOSE LENGTH	COLOR



INFORMATION ON THIS DOCUMENT IS PROPRIETARY TO ADC AND SHALL NOT BE USED, COPIED, REPRODUCED OR DISCLOSED IN WHOLE OR IN PART WITHOUT WRITTEN CONSENT OF ADC.

ALL DIMS AND TOLERANCES ARE INCHES UNLESS OTHERWISE SPECIFIED

.XX:±.02
.XXX:±.010
ANGULAR:±2

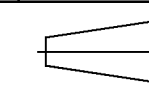
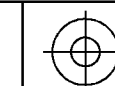
DO NOT SCALE DRAWING

TITLE
4x4 4 7/8" HOSE ADAPTER KIT

C SIZE
DRAWING NUMBER
1158701
G REV

ENGR: D. DERKS
DWN: P. KELTGEN

SHT. 1 OF 1



**DIMENSIONS IN INCHES
THIRD ANGLE PROJECTION**