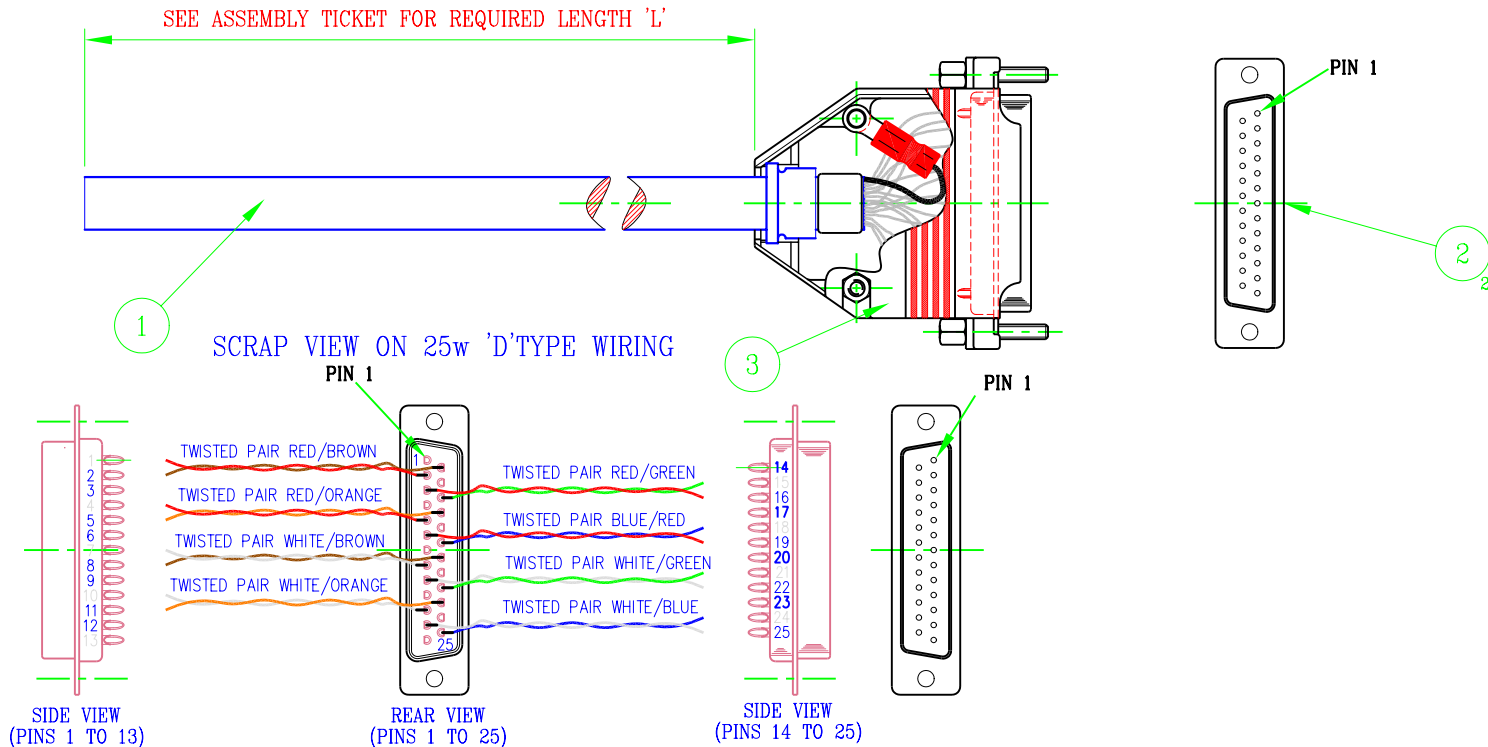


# SDH 10 Pair EMC Cable Assembly

148-114



**WIRE LIST**  
**CONNECTOR 25w 'D'TYPE (MALE)**

PIN No	WIRE COLOUR
12	WHITE/BLUE
25	BLUE/WHITE
24	NOT CONNECTED
9	WHITE/GREEN
22	GREEN/WHITE
21	NOT CONNECTED
6	RED/BLUE
19	BLUE/RED
18	NOT CONNECTED
3	RED/GREEN
16	GREEN/RED
15	NOT CONNECTED
13	NOT CONNECTED
10	NOT CONNECTED
11	WHITE/ORANGE
23	ORANGE/WHITE
7	NOT CONNECTED
8	WHITE/BROWN
20	BROWN/WHITE
4	NOT CONNECTED
5	RED/ORANGE
17	ORANGE/RED
1	NOT CONNECTED
2	RED/BROWN
14	BROWN/RED

### PARTS LIST

ITEM No	FCA	DESCRIPTION	QTY
1		CABLE 10 PAIR. BALANCE 120 $\Omega$ RAYDEX/CDT.	A/R
2		CONNECTOR 'D'TYPE 25w MALE SOLDER.	1
3		COVER 25w 'D'TYPE METAL WITH SCREWLOCKS.	1
4		SLEEVE HEATSHRINK AD.LND 10x $\phi$ 9.5mm.	1
5		TERMINAL RING TAG INSULATED RED.	1
6		SLEEVE HEATSHRINK 10x $\phi$ 1.6mm CLEAR.	16

