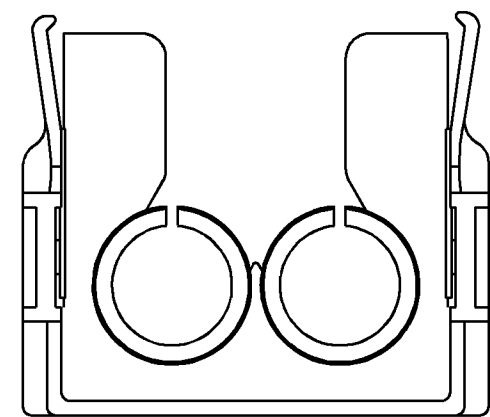
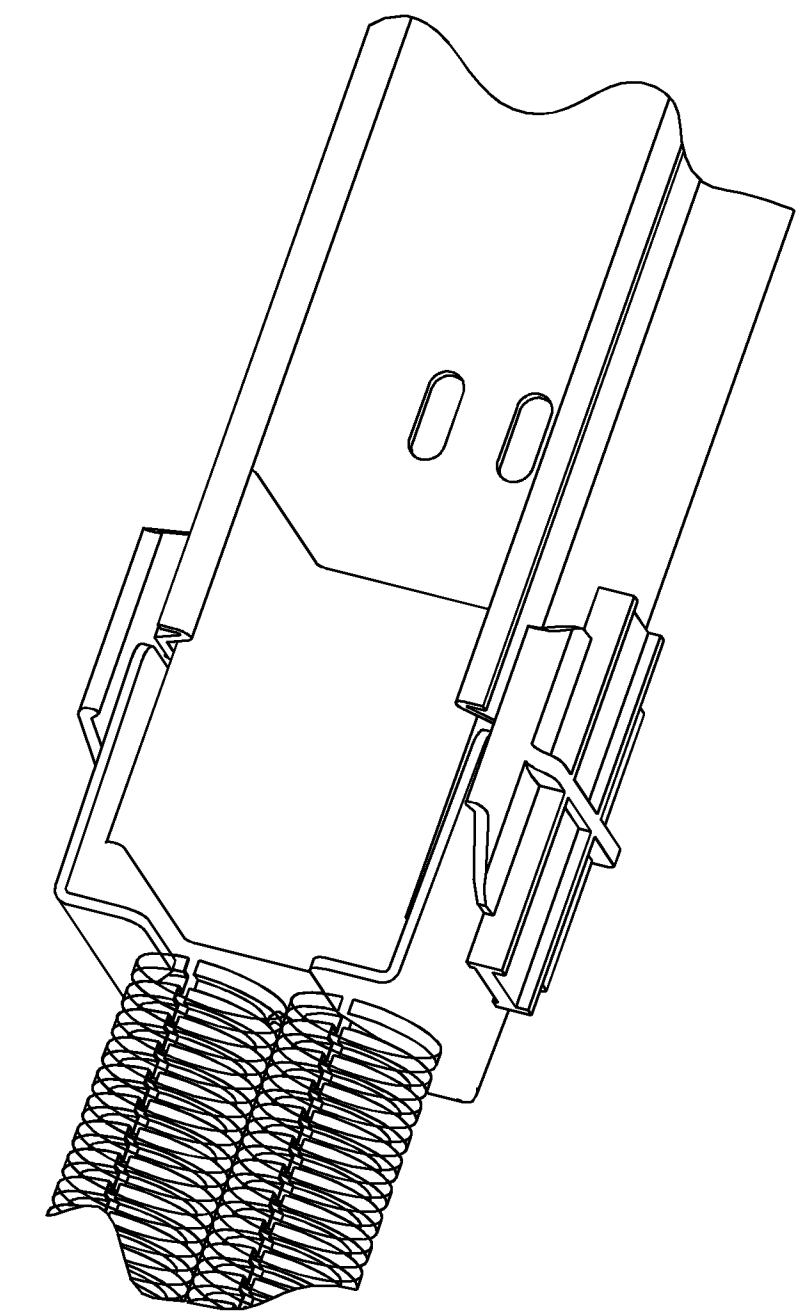
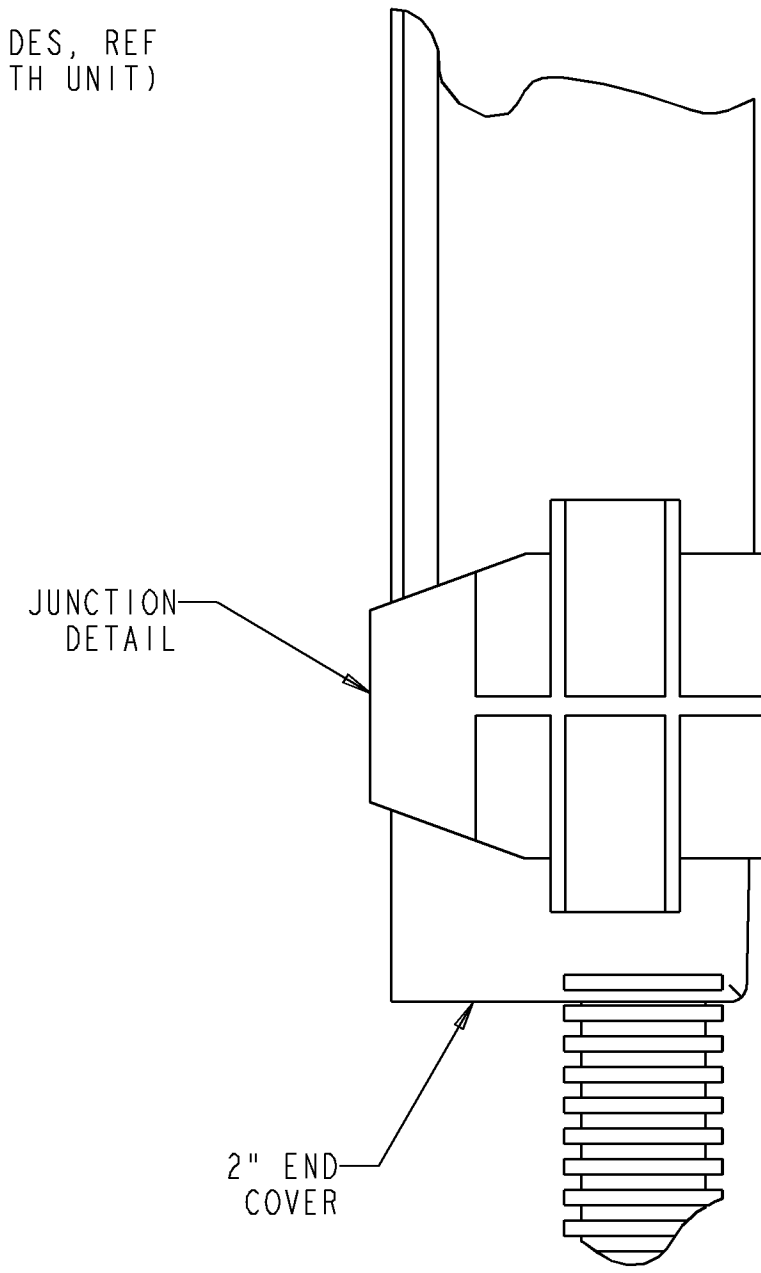
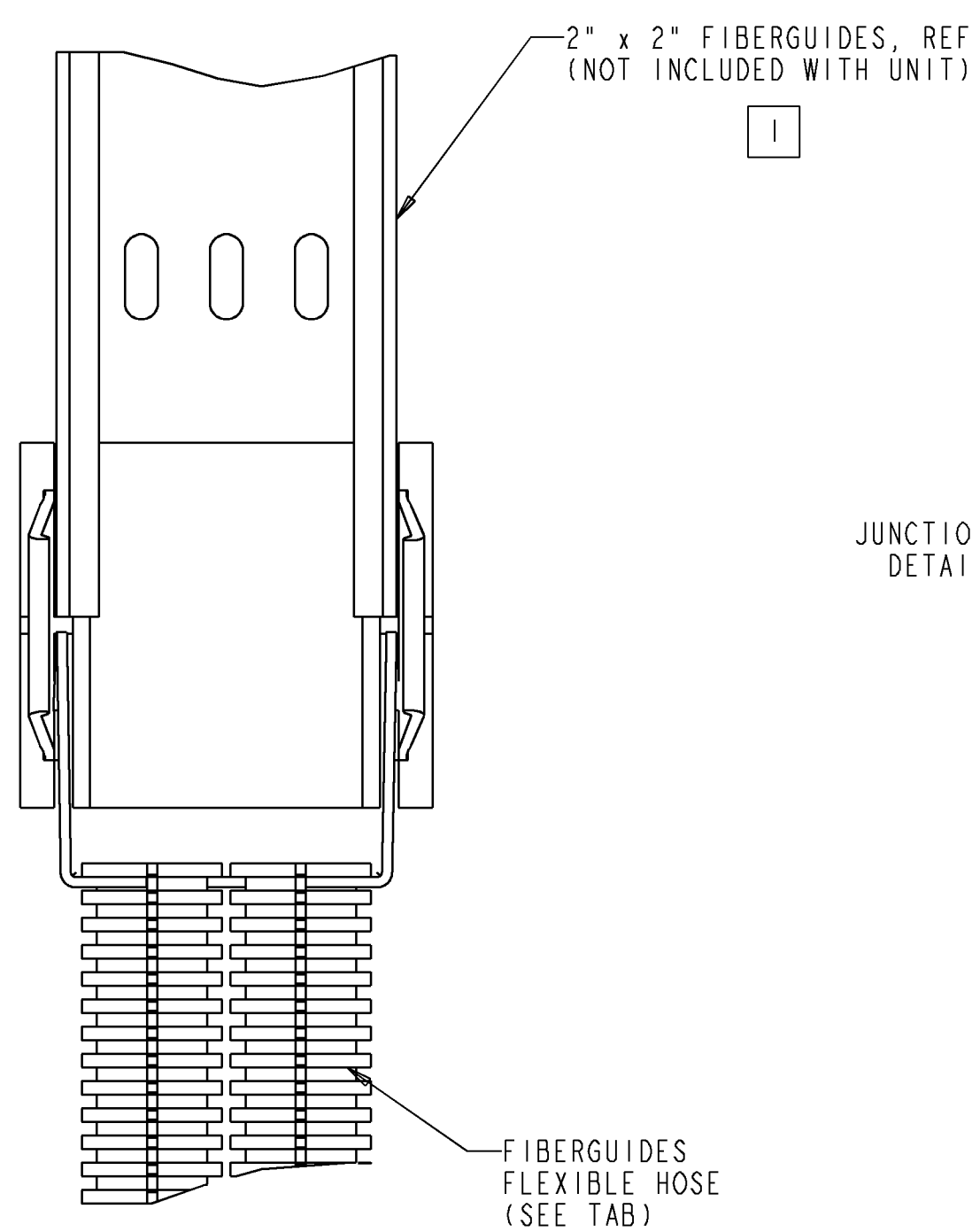


REV	MCO	DWN	DATE
L	20239670	AED	09-MAY-08
M	20263143	JSL	20-APR-09



NOTES:

1 ITEMS NOT INCLUDED WITH KIT.

<b>FGSB-KT03-C-15F</b>	BLACK	15 FT	2	A
<b>FGSB-KT03-C-10F</b>	BLACK	10 FT	2	A
<b>FGSB-KT03-C</b>	BLACK	5 FT	2	A
<b>FGSO-KT03-C-10F</b>	ORANGE	10 FT	2	A
<b>FGSO-KT03-C-15F</b>	ORANGE	15 FT	2	A
<b>FGS-KT03-CNH</b>	YELLOW	N/A	NONE	A
<b>FGSO-KT03-C</b>	ORANGE	5 FT	2	A
<b>FGS-KT03-C</b>	YELLOW	5 FT	2	A
<b>FGS-KT03-C-10F</b>	YELLOW	10 FT	2	A
<b>FGS-KT03-C-15F</b>	YELLOW	15 FT	2	A
<b>CATALOG NO.</b>	<b>COLOR</b>	<b>HOSE LENGTH</b>	<b># OF HOSES IN KIT</b>	<b>REV</b>



INFORMATION ON THIS DOCUMENT IS PROPRIETARY TO ADC AND SHALL NOT BE USED, COPIED, REPRODUCED OR DISCLOSED IN WHOLE OR IN PART WITHOUT WRITTEN CONSENT OF ADC.

ALL DIMS AND TOLERANCES ARE INCHES UNLESS OTHERWISE SPECIFIED

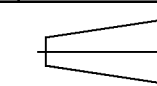
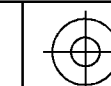
DO NOT SCALE DRAWING

TITLE  
FIBERGUIDE 2" X 2"  
HOSE ADAPTER (INST DWG)

DRAWING NUMBER  
4-29000-3211

ENGR: R. HENNEBERGER  
DWN: T. REDMANN

SHT. 1 OF 1



**DIMENSIONS IN INCHES  
THIRD ANGLE PROJECTION**