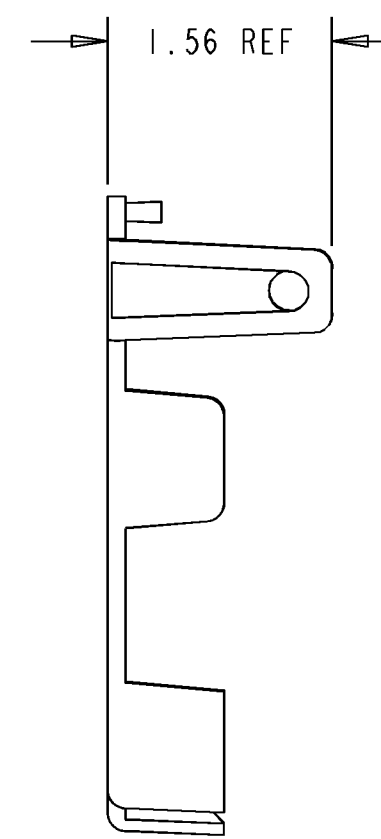
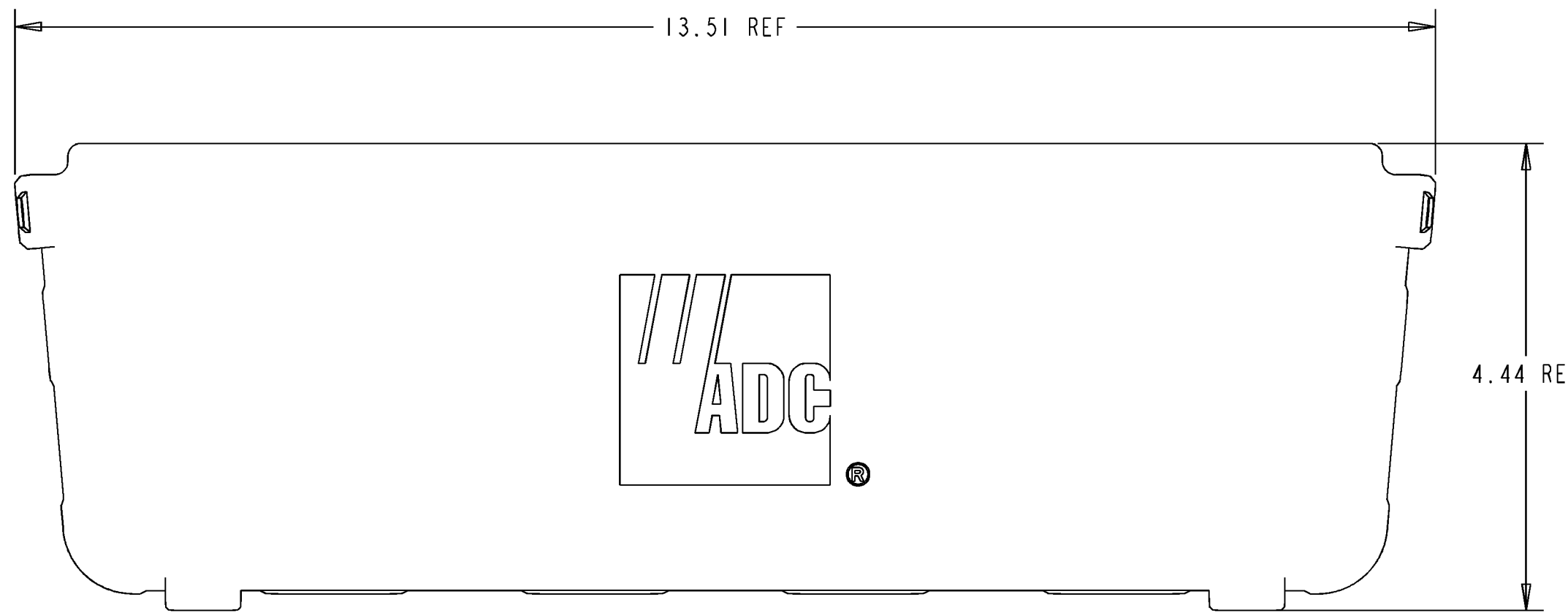
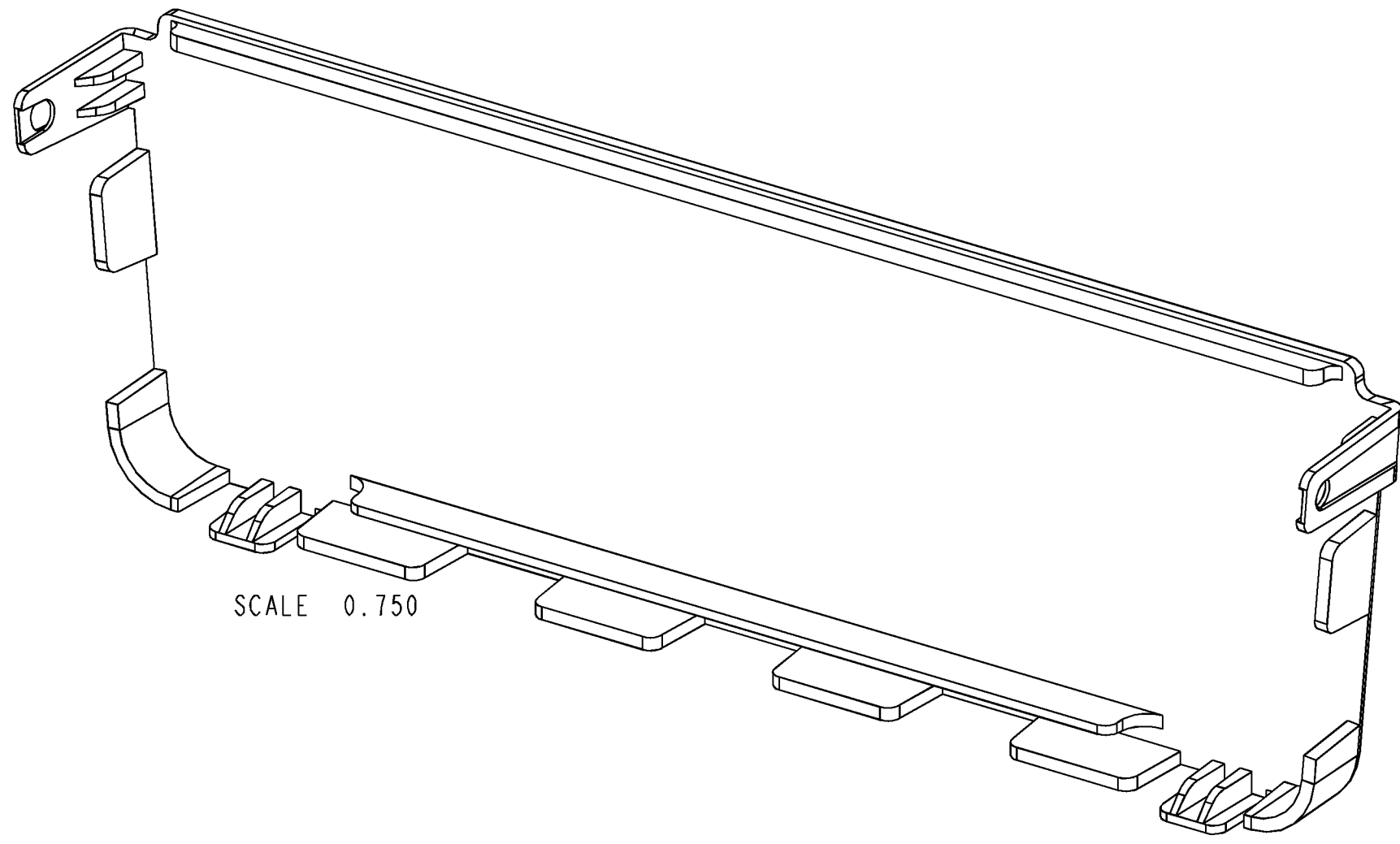


REV	ECO	DWN	DATE
A	20019792	TH	1/4/99
-	-----	---	-----



CATALOG NO.: FGS-HMEC-F

NOTES:

1. MOUNTING HARDWARE INCLUDED WITH KIT.
2. MATERIAL IS SELF EXTINGUISHING WITH A UL 94 RATING OF V-0.



TELECOMMUNICATIONS

INFORMATION ON THIS DOCUMENT IS PROPRIETARY TO ADC AND SHALL NOT BE USED, COPIED, REPRODUCED OR DISCLOSED IN WHOLE OR IN PART WITHOUT WRITTEN CONSENT OF ADC.

TOLERANCE UNLESS OTHERWISE SPECIFIED .XX: ±N/A .XXX: ±N/A ANGULAR: ±N/A

TITLE  
KIT, END CAP, 4X12  
INSTALLATION DWG

DRAWING NUMBER  
1045744

ENGR: T. HAATAJA  
DWN: T. HAATAJA

SHT. 1 OF 1

A

B

C

D