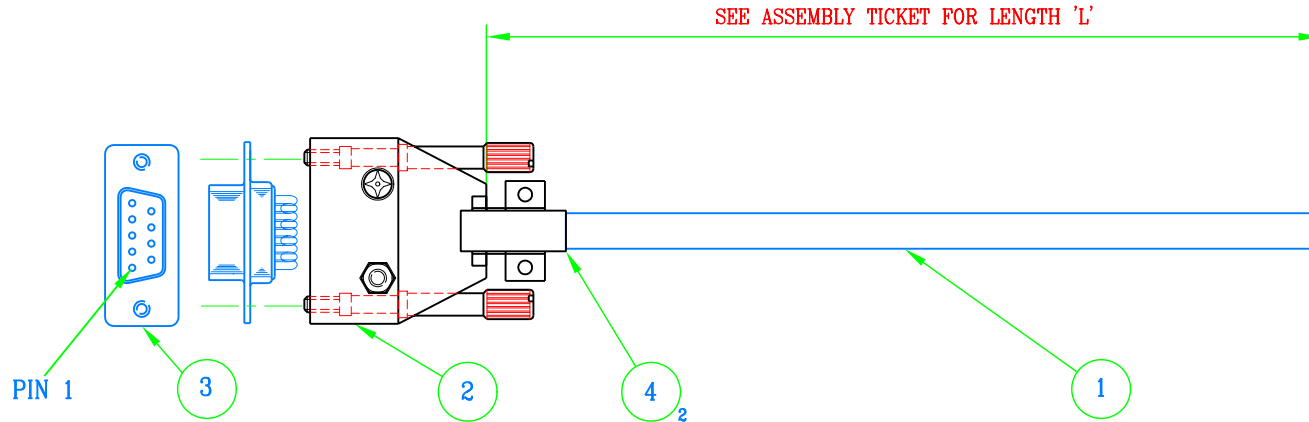


9 Way Male-9 Way Female D-Type

145-397



WIRE LIST

MALE	
PIN No	WIRE COLOUR
1	WHITE/BLUE
2	BLUE/WHITE
3	WHITE/ORANGE
4	ORANGE/WHITE
5	WHITE/GREEN
6	GREEN/WHITE
7	WHITE/BROWN
8	BROWN/WHITE
9	WHITE/SLATE

PARTS LIST

ITEM No	FCA	DESCRIPTION	QTY
1		6 PAIR CW1308	A/R
2		9 WAY D TYPE BLACK PLASTIC HOOD	1
3		CONN .9W SUB D SOLDER PLUG DB9.	1
4		BLACK HEATSHRINK SLEEVING.	34mm